

# Cake Showcase

## manual instruction

Read these operating instructions carefully before using the machine





---

# Index

|                                |   |
|--------------------------------|---|
| Warning-----                   | 1 |
| Installation-----              | 2 |
| How to Use-----                | 3 |
| Maintenance-----               | 4 |
| Instructions for Disposal----- | 5 |
| Technical Specifications-----  | 6 |
| Working principle diagram----- | 7 |
| Trouble Shootings-----         | 8 |
| Structure Diagram-----         | 9 |

---

---

## Warning:

1. This machine is a showcase.
2. This instruction manual is an integral part of the machine and must be kept for any further consultation.
3. Warning: Never try to use this machine for applications which are not described in the instructions or in a way which is not described in the instruction or under conditions which are not similar those described in the instructions, otherwise severe hazards may occur!
4. This Machine should be used only for the purpose for which it was designed .Any other use is inappropriate and therefore dangerous. The manufacturer will not be held responsible for any damage caused by improper use.
5. Before installing and operating on the Machine read carefully this operation manual.
6. Keep the machine out of reach for children ! Do not allow children to play with the machine.
7. Unplug the machine from outlet when not in use , before putting on or taking off parts, and before cleaning.
8. Be sure to unplug the machine if not using the machine in a long time.
9. If the supply cord is damaged, the cord should be replaced by the manufacturer, authorized service agent or similarly qualified persons in order to avoid a hazard.
10. Do not use the machine in a dusty environment or in an explosive atmosphere (inflammable gases, vapours and vapours from organic solvents).
11. Disable a defective machine in an obvious way, so that it does not represent a hazard to others and dispose of the machine according to the regulations from the local authorities. Please see instructions for Disposal in this manual.
12. Other than cleaning mentioned in this instruction manual, no additional maintenance or servicing of this machine is required.
13. The motor is permanently lubricated and will require no oil.
14. Repairs, when necessary, must be performed at an authorized service facility.
15. The machine is suitable for indoor use only.
16. Basic safety rules:
  - a. Do not touch the Machine when hands or feet are wet .
  - b. Do not use the Machine when barefooted.
  - c. Do not allow the Machine to be used by children or untrained persons.
  - d. Do not leave the machine outside.
  - e. Do not pull on the electrical cord when unplugging the machine.

The company reserves the right to modify the construction or appearance without notice

---

## Installation :

### Useful instruction for transport

1. In order to prevent the oil contained in the hermetic compressor from flowing into the cooling circuit, it is necessary to always carry store and handle the machine in a vertical position, following the instructions found on the packaging.
2. If the machine was accidentally or purposely placed in a non-vertical position during transport, before operating the machine, it should be kept in a straight position for approximately 30mins to allow the oil to flow back into the compressor.

### Unpacking:

machine has not been damaged Remove the plastic film from all the stainless steel panels (if has)

**Important:** The various packaging should be kept from Children since they are potentially dangerous. Dispose the packaging according to the regulations from the local authorities.

### Positioning:

1. Do not install the machine in the area where water jet could be used.
2. Place machine on a horizontal and sturdy surface
3. Please install the machine in locations where can be overseen by trained personnel
4. For good ventilation, keep a distance of 20cm(7 inches), between unit and wall or other objects increase the distance if the obstacles are a heating source When the dispenser is in place ,press the brake on the wheels in order to keep it level.(FIG.I)

### Assembling

- 1 Remove the bottom pallet from the machine
- 2 Put shelves board on to the shelves

### Electrical connection

Before inserting the plug in to the electrical socket, carefully read the following precautions:

1. Make sure that the machines properly connected to an efficient grounding system, in compliance with current safety standards
2. Make sure that the voltage is in accordance with what indicated on the "serial number C label applied on the chassis
3. The current available is sufficient for the maximum required by the machine
4. if necessary, use only approved multiple outlets, in compliance with current safety Standards.

If in doubt, consult only specialized technicians Bylaw, the machine must always be grounded By Law....,the machine must always be grounded.

---

## How To Use:

Before using, the machine should be cleaned carefully as it comes in contact with food  
Functioning

1. Make sure that the main switch is in the [ I ] position , plug in the machine
- 2 Before starting the machine, ensure the sliding doors are properly closed
- 3 Turn the main switch to [ I ] position, the condensing unit will automatically start
- 4 For lighting, press lighting button. The lighting button locates on the thermostat
- 5 if there is some condensations on front curved glasses, please turn the switch to [ I ] position for defogging
- 6 Cut off the power, and then you can change the light follow the below steps.
  - a. Remove the transparent light lid.
  - b. Hold both sides of the light with hands whirl it unit you can remove it from the light seat.
  - c. Install the new light tube in the reverse order.
  - d. Cover the light lid.

The company.. reserves the right to modify the construction or appearance without notice.

## Working Temperature Adjustment

To reset the temperature inside the showcase, please follow as below:

### Cold Deli cake showcase



Display



Button for defrost/  
decrease set temp.














Button for demist/  
increase set temp.













Turn on/Turn off Button



Light Button

- 1.Plug in the machine.
- 2.Before starting the machine, ensure the sliding doors are properly closed.
- 3.For lighting, press the light button below the thermostat.
- 4.Press  for 3s to startup.
- 5.Press  for 3s to shut down.
- 6.Set temperature: press  for 1s, the setting temperature flashing, and then press   to alter the setting temperature. It will display the working temperature after stopping setting for 6s.
- 7.Manual demisting, press  for 3s, then  shows on the display and the manual defrosting starts. Long press  for 3s again to stop.
- 8.Manual defrosting, press  for 3s and  shows on the display and the manual defrosting starts. Long press  for 3s again to stop.
- 9.To reset the parameters inside the showcase, please follow as below;

**CAUTION:** You are suggested not to reset the temperature controller frequently.

- a. Press  for 1s to set temperature, then press  again, it will show "PAS".
- b. Press   to enter password (The default password is 15).
- c. Press  for 1s, you can see parameter code "E1", and you can press  to show "E2" to "C2".
- d. To adjust the value please press  for 1s again, then press   to change the value.
- e. Press  again to confirm and recover parameter code selection.
- f. Without press any button for 6s, it will recover working temperature display.

Notes: If the password is incorrect, you can only check parameter but could not change it.

The factory default value of set temp. is 2°C.

| parameter | function                     | range           | default |
|-----------|------------------------------|-----------------|---------|
| PAS       | Password                     | 0~100           | 15      |
| E1        | Lower setpoint limit         | -5°C~SET        | -2°C    |
| E2        | Higher setpoint limit        | set temp.~-45°C | 20°C    |
| E3        | Temp. hysteresis             | 1~10°C          | 4°C     |
| E4        | Compressor start delay time  | 3~8min          | 3min    |
| E5        | Temperature probe adjustment | -5~5°C          | 0°C     |
| E6        | Defrosting probe adjusting   | -5~5°C          | 0°C     |

| parameter | function   | range   | default |
|-----------|--|---|---------|
| F1        | Max. defrost duration                            | 15~60min  | 20min   |
| F2        | Defrosting interval time                         | 0~12hr  | 6hr     |
| F3        | Defrost termination temperature                  | 5~25°C  | 8°C     |
| F4        | Display during defrost                           | 0= normal display<br>1= last value before defrost | 1       |
| C1        | Compressor stop time when Failure mode           | 5~10min   | 5min    |
| C2        | Compressor working time when Failure mode uptime | 5~10min   | 10min   |

---

## Function Description

### 1.temperature control

When the working temp. is higher than set temp. and temp. hysteresis E3, the compressor starts. When the working temp. is lower or equal to set temp., the compressor stops. In order to protect compressor, it can only start after Compressor start delay time E4.

### 2.Defrosting function

After working for defrosting interval time (parameter F2), it will start defrosting automatically, the defrost LED lights is on and compressor stops. Time of defrosting reaching parameter F1, it will stop defrosting and enter normal temperature controlling mode.

When defrost interval time (parameter F2) is set "00", it will cancel automatic defrosting.






### 3. Display last value before defrost when defrosting

- a. When parameter F4=0, it displays working temperature during defrosting.
- b. When parameter F4=1, it displays last value of working temp. during defrosting. After defrosting, it recovers normal display after 20 minutes, or when working temp. lower than set temp.. Defrost LED light flashes during the time of delay.

### 4. Sensor of Cabinet Temp. Failure working mode

It displays "Sc" when sensor of cabinet temp. short circuits or working temp. higher than 99°C . While it will display "So" when sensor of cabinet temp. open circuits or working temp. lower than -45°C;When the temperature failure, the machine working as below: the compressor working for C2 set time, and then stops ,after C1 set time, it will start again.











## Hot Pastry Showcase

- 1.Plug in the machine.
- 2.Before starting the machine, ensure the sliding doors are properly closed.
- 3.For lighting, press the light button below the thermostat.
- 4.Press  for 3s to startup.
- 5.Press  for 3s to shut down.
- 6.Set temperature: press  for 1s, the setting temperature flashing, and then press   to alter the setting temperature. It will display the working temperature after stopping setting for 6s.

---

7.To reset the parameters inside the showcase, please follow as below:

**CAUTION:** You are suggested not to reset the temperature controller frequently.

- a. Press  for 1s to set temperature, then press  again, it will show "PAS".
- b. Press   to enter password (The default password is 15).
- c. Press  for 1s, you can see parameter code "E1", and you can press  to show "E2" to "C2".
- d. To adjust the value please press  for 1s again, then press   to change the value.
- e. Press  again to confirm and recover parameter code selection.
- f. Without press any button for 6s, it will recover working temperature display.

**Notes:** If the password is incorrect, you can only check parameter but could not change it.

The factory default value of set temp. is 65°C.

| parameter | function                     | range          | default |
|-----------|------------------------------|----------------|---------|
| PAS       | Password                     | 0~100          | 15      |
| E1        | Lower setpoint limit         | 25°C~SET       | 50°C    |
| E2        | Higher setpoint limit        | set temp.~75°C | 70°C    |
| E3        | Temp. hysteresis             | 1~10°C         | 4°C     |
| E4        | Compressor start delay time  | 1~8min         | 3min    |
| E5        | Temperature probe adjustment | -5~5°C         | 0°C     |

## Function Description

Temperature control:

When working temp.  $\geq$  set temp., the heating element stops working.

When working temp.  $\leq$  (set temp. - temp. hysteresis E3), the heating element start to work. it can only start after heating delay time E4.

## Maintenance:

Observe the ambient temperature

The machine is suitable for an ambient temperature ranging between 16 °C - 32 °C

## Cleaning

For health standard and good quality of beverages or foods, clean interiors of machine as often as possible

---

**Caution:**

Do not clean the machine by water jet

1. Before carrying out cleaning, remove the power plug
2. Do not use abrasive powders that might impair the interior parts of showcase
3. Use neutral soap and a little warm water to wash the interiors, Rinse carefully with water in order to remove any residual of soap
4. To maintain a high standard of working performance, leave the machine turned on night and day in order to avoid deposit

**Caution:**

Do not use any organic solvents (petrol, alcohol, etc ) for cleaning the machine The case of the machine may be damaged and explosive vapours may develop Do not use any sharp edged objects for cleaning

The machine may be cleaned with a damp towel, but may never get in direct contact with water After cleaning the machine make sure that it will be dried completely

## Instructions for Disposal

When replacing your old machine with a new one, please comply with the following information:

Old machines are not worthless rubbish Valuable raw materials can be reclaimed by recycling old machines

**Render old machine unusable:**

- 1 Pull out the mains plug,
- 2 Cut off the mains cable and discard with the mains plug,

**Caution:**

Refrigerants in refrigeration machines and gases in thermal insulation must be disposed of Professionally. Ensure that refrigeration tubing is not damaged prior to disposal. Please discard the machine according to the regulations from the local authorities.

## Technical Specifications

| MODELS  | S730AS    | S740AS     | S750AS     | S760AS     | S780AS     |
|---|-----------|------------|------------|------------|------------|
| Parameter                                     | 220~,50HZ |            |            |            |            |
| Capacity (L)                                  | 225L      | 310L       | 395L       | 480L       | 650L       |
| Power (W)                                     | 608       | 749        | 900        | 956        | 1290       |
| Working Temp. (°C)                            | 2~8°C     |            |            |            |            |
| Gas   | R134a     |            |            |            |            |
| Weight (Kg)                                   | 165       | 200        | 225        | 260        | 330        |
| Climate Class                                 | N         |            |            |            |            |
| Classification of protection against electric | I         |            |            |            |            |
| LED (w)                                       | 10        | 15         | 20         | 10         | 15         |
| Dimensions (cm)                               | 90X73X120 | 120X73X120 | 150X73X120 | 180X73X120 | 240X73X120 |

| MODELS  | S730AS    | S740AS     | S750AS     | S760AS     | S780AS     |
|---|-----------|------------|------------|------------|------------|
| Parameter                                     | 220~,50HZ |            |            |            |            |
| Capacity (L)                                  | 285L      | 390L       | 500L       | 610L       | 625L       |
| Power (W)                                     | 608       | 749        | 900        | 956        | 1290       |
| Working Temp. (°C)                            | 2~8°C     |            |            |            |            |
| Gas   | R134a     |            |            |            |            |
| Weight (Kg)                                   | 185       | 225        | 260        | 300        | 380        |
| Climate Class                                 | N         |            |            |            |            |
| Classification of protection against electric | I         |            |            |            |            |
| LED (w)                                       | 10        | 15         | 20         | 10         | 15         |
| Dimensions (cm)                               | 90X73X120 | 120X73X120 | 150X73X120 | 180X73X120 | 240X73X120 |

| MODELS  | S830AS    | S840AS     | S850AS     | S860AS     | S880AS     |
|---|-----------|------------|------------|------------|------------|
| Parameter                                     | 220~,50HZ |            |            |            |            |
| Capacity (L)                                  | 260L      | 360L       | 460L       | 560L       | 760L       |
| Power (W)                                     | 608       | 749        | 900        | 956        | 1290       |
| Working Temp. (°C)                            | 2~8°C     |            |            |            |            |
| Gas   | R134a     |            |            |            |            |
| Weight (Kg)                                   | 180       | 215        | 245        | 280        | 355        |
| Climate Class                                 | N         |            |            |            |            |
| Classification of protection against electric | I         |            |            |            |            |
| LED (W)                                       | 10        | 15         | 20         | 10         | 15         |
| Dimensions (cm)                               | 90X84X120 | 120X84X120 | 150X84X120 | 180X84X120 | 240X84X120 |

| MODELS  | S830AS    | S840AS     | S850AS     | S860AS     | S880AS     |
|---|-----------|------------|------------|------------|------------|
| Parameter                                     | 220~,50HZ |            |            |            |            |
| Capacity (L)                                  | 340L      | 470L       | 600L       | 730L       | 985L       |
| Power (W)                                     | 608       | 749        | 900        | 956        | 1290       |
| Working Temp. (°C)                            | 2~8°C     |            |            |            |            |
| Gas   | R134a     |            |            |            |            |
| Weight (Kg)                                   | 210       | 220        | 290        | 330        | 420        |
| Climate Class                                 | N         |            |            |            |            |
| Classification of protection against electric | I         |            |            |            |            |
| LED (W)                                       | 10        | 15         | 20         | 10         | 15         |
| Dimensions (cm)                               | 90X84X120 | 120X84X120 | 150X84X120 | 180X84X120 | 240X84X120 |

| MODELS  | S940       | S950       | S960       |
|---|------------|------------|------------|
| Parameter                                     | 220~,50HZ  |            |            |
| Capacity (L)                                  | 470L       | 600L       | 730L       |
| Power (W)                                     | 843        | 931        | 1102       |
| Working Temp. (°C)                            | 2~8°C      |            |            |
| Gas   | R134a      |            |            |
| Weight (Kg)                                   | 285        | 325        | 370        |
| Climate Class                                 | N          |            |            |
| Classification of protection against electric | I          |            |            |
| LED (W)                                       | 15         | 20         | 10         |
| Dimensions (cm)                               | 120X81X137 | 150X81X137 | 180X81X137 |

| MODELS  | L930      | L940       | L950       | L960       |
|---|-----------|------------|------------|------------|
| Parameter                                     | 220~,50HZ |            |            |            |
| Capacity (L)                                  | 270L      | 372L       | 474L       | 576L       |
| Power (W)                                     | 556       | 687        | 828        | 917        |
| Working Temp. (°C)                            | 2~8°C     |            |            |            |
| Gas   | R134a     |            |            |            |
| Weight (Kg)                                   | 215       | 255        | 295        | 335        |
| Climate Class                                 | N         |            |            |            |
| Classification of protection against electric | I         |            |            |            |
| LED (W)                                       | 10        | 15         | 20         | 10         |
| Dimensions (cm)                               | 90X79X120 | 120X79X120 | 150X79X120 | 180X79X120 |

---

| MODELS  | M430      | M440      | M450      |
|---|-----------|-----------|-----------|
| Parameter                                     | 220~,50HZ |           |           |
| Capacity (L)                                  | 70L       | 94L       | 118L      |
| Power (W)                                     | 340       | 475       | 495       |
| Working Temp. (°C)                            | 2~8°C     |           |           |
| Gas   | R134a     |           |           |
| Weight (Kg)                                   | 83        | 90        | 105       |
| Climate Class                                 | N         |           |           |
| Classification of protection against electric | I         |           |           |
| LED (W)                                       | 10        | 15        | 20        |
| Dimensions (cm)                               | 90X47X68  | 120X47X68 | 150X47X68 |

| MODELS  | H430      | H440      | H450      |
|---|-----------|-----------|-----------|
| Parameter                                     | 220~,50HZ |           |           |
| Capacity (L)                                  | 70L       | 94L       | 118L      |
| Power (W)                                     | 765       | 805       | 845       |
| Working Temp. (°C)                            | 2~8°C     |           |           |
| Gas   | R134a     |           |           |
| Weight (Kg)                                   | 50        | 65        | 75        |
| Climate Class                                 | N         |           |           |
| Classification of protection against electric | I         |           |           |
| LED (W)                                       | 10        | 15        | 20        |
| Dimensions (cm)                               | 90X47X68  | 120X47X68 | 150X47X68 |

---

---

| MODELS  | R730      | R740       | R750       | R760       | R780       |
|---|-----------|------------|------------|------------|------------|
| Parameter                                     | 220~,50HZ |            |            |            |            |
| Capacity (L)                                  | 285L      | 390L       | 500L       | 610L       | 825L       |
| Power (W)                                     | 710       | 945        | 965        | 1145       | 1340       |
| Working Temp. (°C)                            | 2~8°C     |            |            |            |            |
| Gas   | R134a     |            |            |            |            |
| Weight (Kg)                                   | 230       | 265        | 305        | 350        | 465        |
| Climate Class                                 | N         |            |            |            |            |
| Classification of protection against electric | I         |            |            |            |            |
| LED (W)                                       | 10        | 15         | 20         | 10         | 15         |
| Dimensions (cm)                               | 90X68X120 | 120X68X120 | 150X68X120 | 180X68X120 | 240X68X120 |

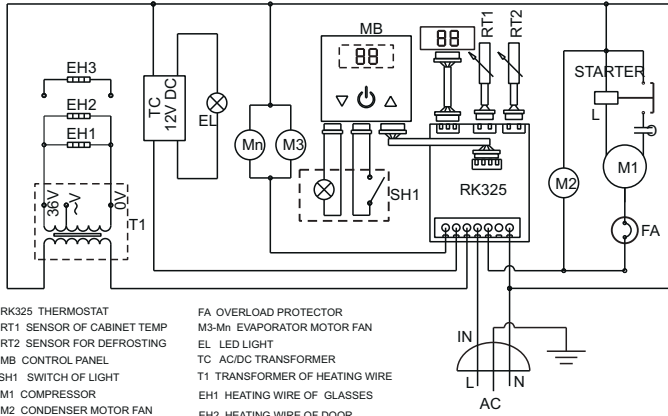
**Noted**

1. When the voltage and Hz are different, the performance function will not be affected. But the technical specifications will be different a little bit..
2. The weighted sound pressures of the machines are below 70db.

# Working principle diagram

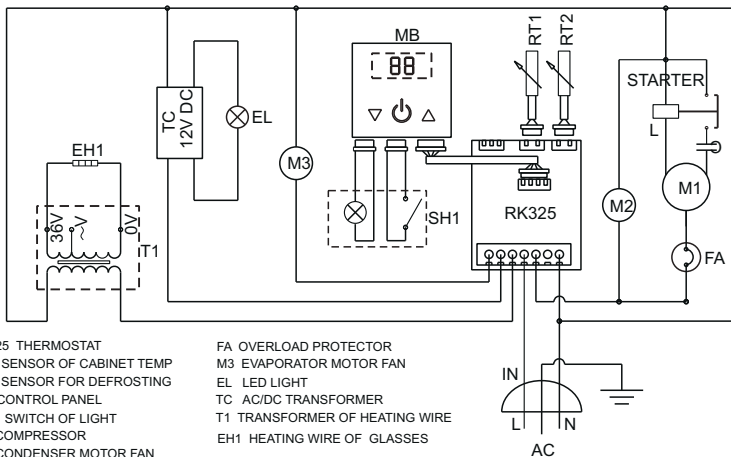
Model NO.S7,S8,L9 series

Electric Wiring Diagram

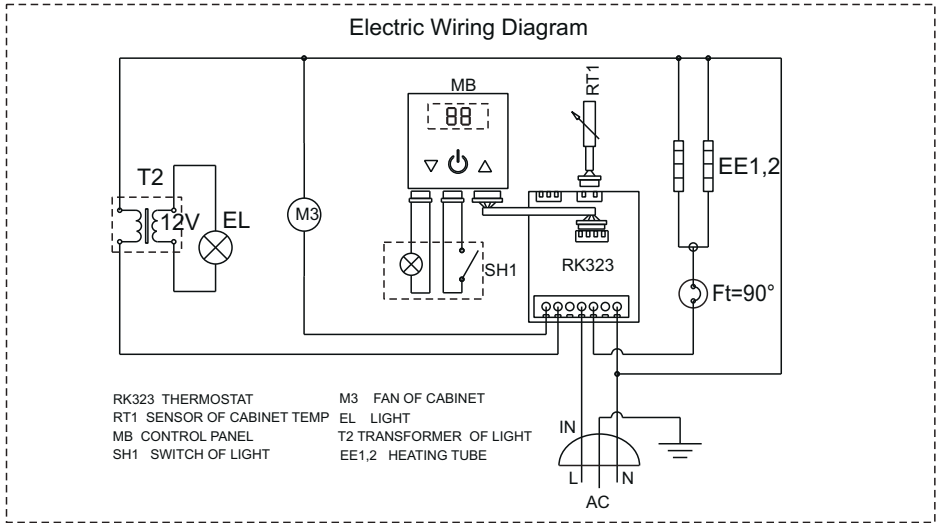


Model NO.M430,M440,M450 series

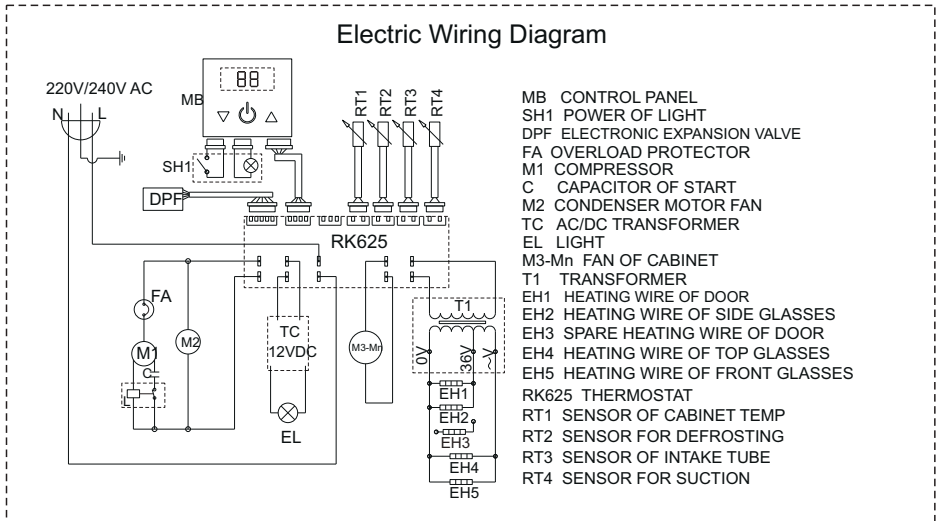
Electric Wiring Diagram



Model NO.H430,H440,H450 series



Model NO.R7, R8 series



## Trouble Shooting:

| Symptom  | Possible reasons   | Solution  | Remark  |
|--|--|---|---|
| •No power input/power direction lamp is not light        | <ul style="list-style-type: none"> <li>• Broken fuse</li> <li>• Poor contact of plug and socket</li> <li>• Failure in input control circuit</li> </ul>   | <ul style="list-style-type: none"> <li>• Replace</li> <li>• Repair or replace the socket</li> </ul>   | Ask for authorized service department to check and repair     |
| • Compressor does not work                               | <ul style="list-style-type: none"> <li>• Thermostat does not work</li> <li>• Thermostat is not on the working position</li> <li>• Poor contract of the thermostat</li> <li>• Lose plug pins of the starter</li> <li>• Broken compressor</li> <li>• Broken starter r capacitor</li> </ul> | <ul style="list-style-type: none"> <li>• Replace</li> <li>• Turning to the working position</li> <li>• Insert the plug tightly</li> <li>• Replace</li> <li>• Repair or replace</li> </ul>                     |   |
| • Compressor run the temperature in the showcase is high | <ul style="list-style-type: none"> <li>• Ambient temperature is too high.</li> <li>• Too much dust and dirt on the condenser</li> <li>• Frost on the evaporator is too thick</li> <li>• Thermostat out of work</li> </ul>  | <ul style="list-style-type: none"> <li>• Adjust the thermostal properly</li> <li>• Clean it on time</li> <li>• Stop the machine to defrost. Set the temperature properly higher</li> <li>• Replace</li> </ul> | Ask for authorized service department to check and repair it. |
| • Condenser fan does not run                             | <ul style="list-style-type: none"> <li>• The capacitor of the fan out of work</li> <li>• The ball-bearing of the fan motor is lack of oil</li> <li>• The winding of the fan motor damaged</li> </ul>   | <ul style="list-style-type: none"> <li>• Replace Fill oil Replace</li> </ul>  |   |
| • Compressor Starts/stops frequently                     | <ul style="list-style-type: none"> <li>• The winding of the compressor is short circuit</li> </ul>   | <ul style="list-style-type: none"> <li>• Check with a multi-meter,replace the compressor</li> </ul>   |   |
| • The fan of the evaporator does not work                | <ul style="list-style-type: none"> <li>• Poor contact f the socket</li> <li>• The fan motor damaged</li> </ul>   | <ul style="list-style-type: none"> <li>• Repair or replace</li> <li>• Replace</li> </ul>  |   |

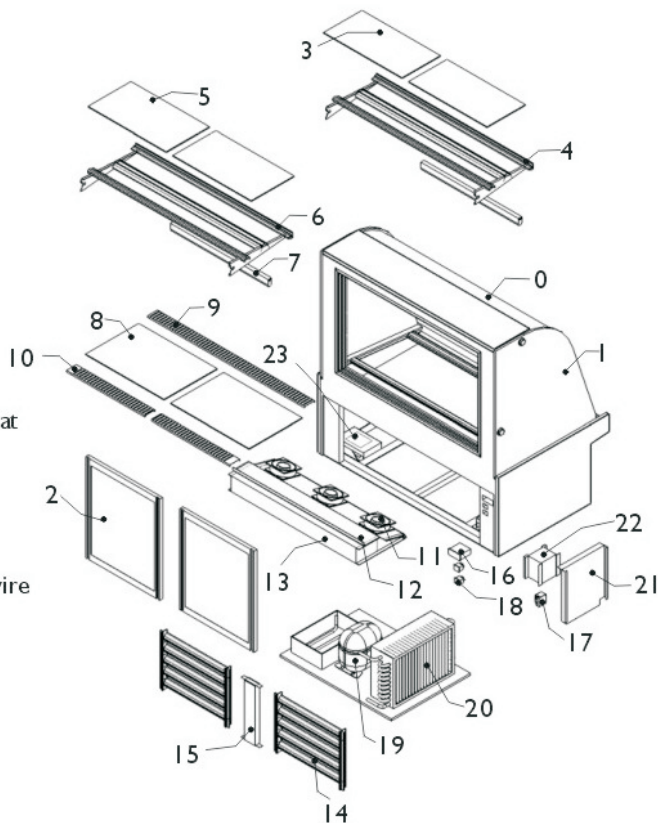
**Warning:** If the machine has any problem or has been damaged, do not try to repair or replace it by yourself. Please ask for the authorized service department for help.

---

## Structure diagram

Model No. S7.S8.S9.GL8. series.

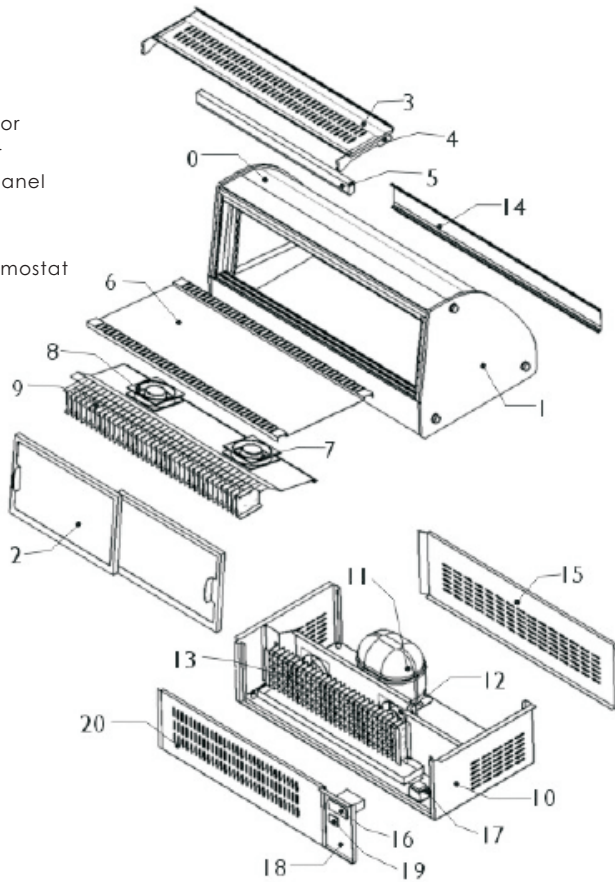
- 0.Front glass
- 1.Side glass
- 2.Sliding door
- 3.Top shelf
- 4.Top shelf bracket
- 5.Middle shelf
- 6.Middle shelf bracket
- 7.Light
- 8.Bottom shelf
- 9.Front s/s air grill
- 10.Rear s/s air grill
- 11.Evaporator motor fan
- 12.Evaporator cover
- 13.Evaporator
- 14.Ventilation grill
- 15.S/S support
- 16.Digital thermostat
- 17.Transformer for thermostat
- 18.Switch
- 19.Compressor
- 20.Condenser&motor
- 21.Wiring board
- 22.Transformer for heating wire
- 23.Caster wheel



---

Model NO.M430,M440,M450 series

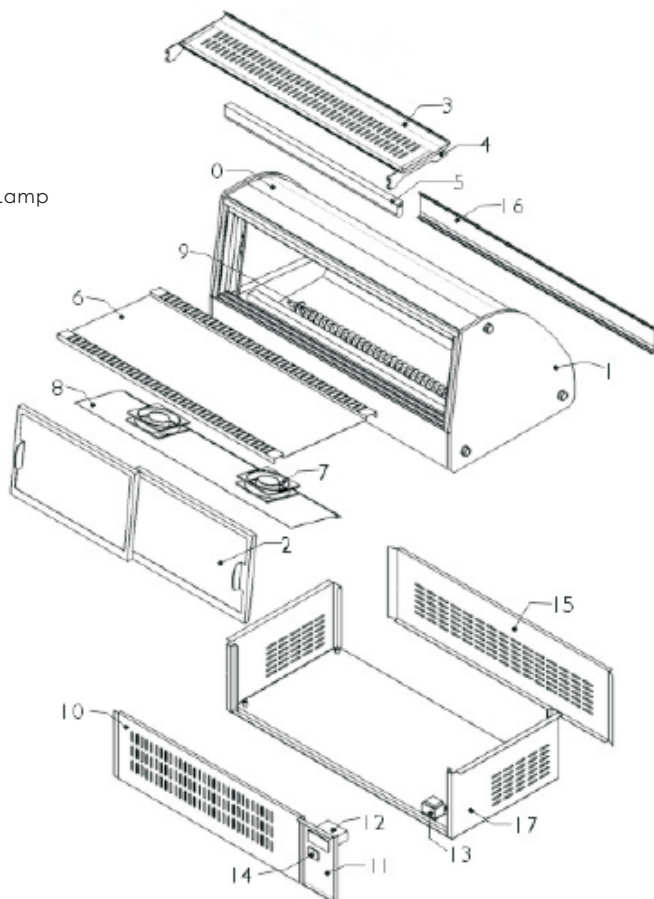
1. Side glass
2. Sliding door
3. Top shelf
4. Top shelf bracket
5. Light
6. Bottom shelf
7. Evaporator motor fan
8. Evaporator cover
9. Evaporator
10. Side Panel
11. Comperessor
12. Condenser fan motor
13. Condenser & motor
14. Front Decoration Panel
15. Front Panel
16. Digital thermostat
17. Transformer for thermostat
18. Switch
19. Control Panel
20. Rear Panel



---

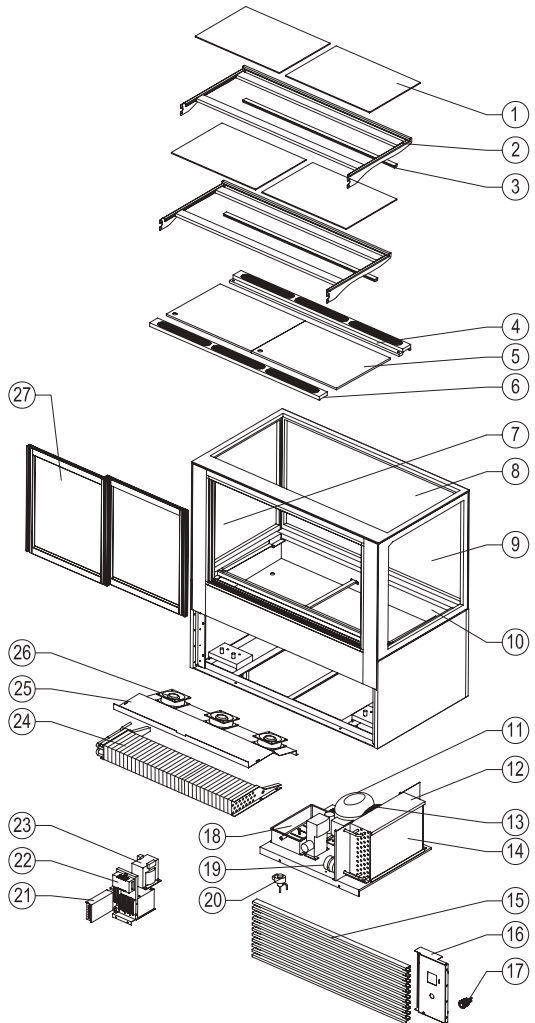
Model NO.H430,H440,H450 series

- 1.Side glass
- 2.Sliding door
- 3.Top shelf
- 4.Top shelf bracket
- 5.Light
- 6.Bottom Shelf
- 7.Evaporator Fan Motor
- 8.Evaporator Cover
- 9.Heater
- 10.Rear Panel
- 11.Control Panel
- 12.Digital Thermostat
- 13.Transformer for Halogen Lamp
- 14.Switch
- 15.Front Panel
- 16.Front Decoration Panel
- 17.Side Panel



Model NO.R7、R8 series

1. Shlef
2. Shelf bracket
3. Light
4. Front s/s air grill
5. Bottom Shelf
6. Rear s/s air grill
7. Right side glass
8. Top glass
9. Front glass
10. Left side glass
11. Compressor
12. Condenser
13. Condenser fan motor
14. Filter
15. Ventilation grill
16. Control Panel
17. Light Switch
18. Water tray
19. Dry filter
20. Electronic Expansion Valve
21. Power Supply
22. Digital Thermostat
23. Transformer
24. Evaporator
25. Fan Cover
26. Evaporator Fan Motor
27. Back Sliding door



---

A series of horizontal dashed lines for writing, consisting of 25 rows.

