

The Quiet One®

On-Counter Model: VM50031

Unparalleled sound reduction!

A powerful, premium blender, The Quiet One® provides unparalleled sound reduction, exceptional beverage blends for a consistently superior product and significantly improved speed of service. Specifically created for coffee shops and high-end bars, it's ideal for any front of house environment thanks to its dramatic sound reducing capabilities. Furthermore it's powerful and reliable motor, coupled with Roband Australia's generous warranty, makes it an ideal choice for high volume juice bars or where juice or beverage production is a primary part of the business operation.

Features

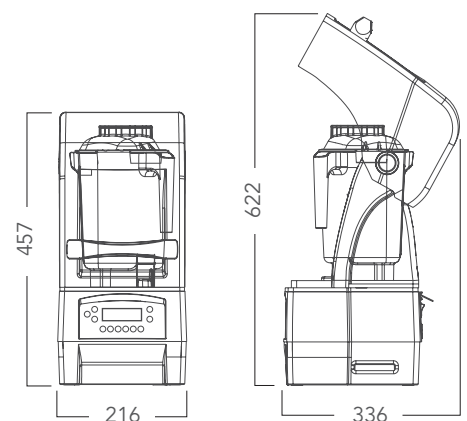
- Advanced noise dampening technology for a more enjoyable customer atmosphere.
- Ideal for front or back of house environments.
- Powerful ~3 HP (peak output)* motor for efficient and powerful operation. The Quiet One motor senses the load on the blender and can increase power to achieve the perfect blend.
- 6 pre-set program buttons on touchpad. 34 stored program options are available and up to 6 can be programmed for quick activation via the touchpad.
- Manual operation with increase/decrease speed keys to vary speed control independently of set programs.
- High and low pulse keys to refresh drinks if required before serving.
- 1.4 Ltr high-impact, clear/stackable Advance® container, complete with Advance® blade assembly and lid. This is a powerful and efficient container and blade configuration that can power through various ingredients like frozen fruit, whole fruit and ice with liquid. The wide container spout quickens the pouring of dense beverages.
- Easily removable sound reducing enclosure.
- On board hidden control board that has resettable blend count feature for cross checking register takings against number of blends.

Specifications

- Motor: ~3 HP (peak output)* motor
 Power: 1300 – 1550 Watts, 10 Amp
 Includes: 1.4 litre high-impact, clear/ stackable Advance® container complete with Advance® blade assembly and lid compact enclosure



VM50031 pictured



Optional Accessory

Additional containers available separately

*Load dependent. Varies with voltage. All dimensions are nominal only. Covered by 3 years warranty (1 year parts and labour followed by 2 years parts only). Conditions apply. Refer to our Terms & Conditions of Trade.