

apuro

**Bistro
Contact Grill**
Instruction manual



Model:
**CU600-A/CU601-A/CU602-A/CU603-A/CU604-A/
CU605-A/CU606-A**

Safety Instructions

- Position on a flat, stable surface.
- A service agent/qualified technician should carry out installation and any repairs if required. Do not remove any components on this product.
- Consult Local and National Standards to comply with the following:
 - Health and Safety at Work Legislation
 - Fire Precautions
 - IEE Wiring Regulations
 - Building Regulations
- **Caution! Hot surface!** The temperature of the heating surface and other accessible surface is very high during use. Touch the temperature control knob only.
- DO NOT immerse the appliance in water.
- DO NOT clean with jet/pressure washers.
- DO NOT move or carry the appliance when it is switched on.
- DO NOT leave the appliance unattended during operation.
- Always use oven gloves when cooking or carrying out any adjustments to the appliance.
- Where this appliance is to be positioned in close proximity to a wall, partitions, kitchen furniture, decorative finishes, etc., it is recommended that they be made of non-combustible material; if not, they shall be clad with suitable non-combustible heat-insulating material, and the closest attention be paid to fire prevention regulations.
- Do not obstruct any ventilation openings in the appliance body.
- Always use the handle to lift the plate.
- Always switch off and disconnect the power supply to the appliance when not in use.



- This appliance must only be used in accordance with these instructions and by persons competent to do so.
- Keep all packaging away from children. Dispose of the packaging in accordance to the regulations of local authorities.
- If the power cord is damaged, it must be replaced by an Apuro agent or a recommended qualified technician in order to avoid a hazard.
- This appliance is not intended for use by persons (including children) with reduced physical, sensory or mental capabilities, or lack of experience and knowledge, unless they have been given supervision or instruction concerning the use of the appliance by a person responsible for their safety.
- Children should be supervised to ensure that they do not play with the appliance.
- Apuro recommend that this appliance should be periodically tested (at least annually) by a Competent Person. Testing should include, but not be limited to: Visual Inspection, Polarity Test, Earth Continuity, Insulation Continuity and Functional Testing.

Introduction

Please take a few moments to carefully read through this manual. Correct maintenance and operation of this machine will provide the best possible performance from your Apuro product.

Pack Contents

The following is included:

- Bistro Contact Grill
- Instruction manual

Apuro prides itself on quality and service, ensuring that at the time of unpacking the contents are supplied fully functional and free of damage.

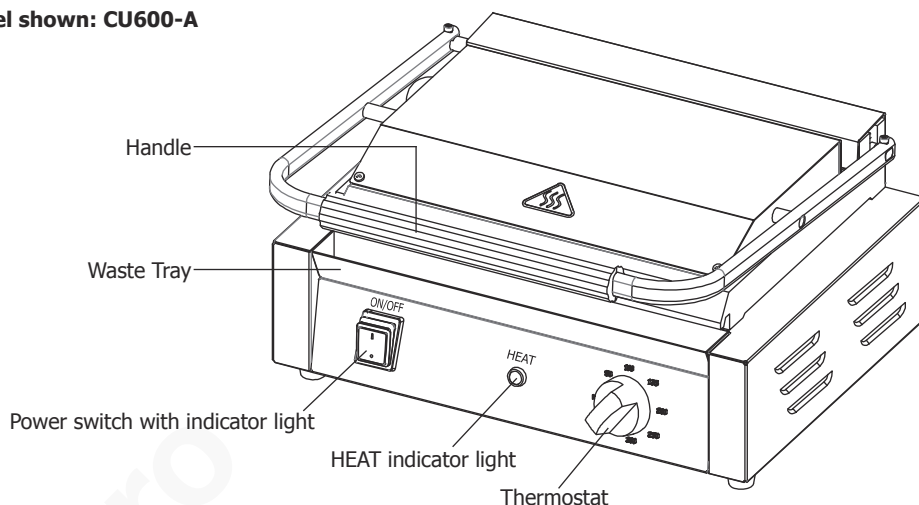
Should you find any damage as a result of transit, please contact your Apuro dealer immediately.

Installation

1. Place the unit on a heat-resistant surface. Avoid placing it on or close to flammable materials. Maintain a distance of 20cm (7 inches) between the appliance and walls or other objects for ventilation.
2. Keep the unit away from splashing water and countertop's edge.

Operation

Model shown: CU600-A



Cooking

Note: Before using for the first time, clean the cooking surface with warm soapy water. Let dry completely and ensure no water goes into the appliance inside.

Note: It is recommended the cooking surface be lightly oiled before cooking.

1. Close the plates.
2. Connect the appliance to the mains power supply.
3. Turn the appliance on. The power indicator light illuminates.
4. Set the thermostat to the desired temperature (50°C-300°C). The HEAT indicator light turns On and the appliance begins to heat up.

Note: 200°C to 220°C is suitable for general cooking.

5. When the set temperature is reached, the HEAT indicator light turns Off.

Note: During use, the HEAT indicator light will cycle on/off, indicating the set temperature is being maintained.

6. Lift the upper plate and place the foodstuff on the lower plate.
7. Lower the upper plate.
8. **Turning off:** After use, set the thermostat to 'MIN' position and power switch to 'O' position.

Overheating protection

This appliance is featured with an overheat protection. Should the temperature exceed safe levels the appliance will automatically cut off power.

The thermal Cut-out switch is located on the rear of the appliance. To reset the appliance after a sufficient cool-down period:

1. Unscrew the reset switch cover.
2. Press the small reset switch down until it clicks, using a blunt pointed instrument.
3. The appliance is now reset and can be used as normal.

Cleaning, Care & Maintenance

Warning:

Always turn off and disconnect the appliance from the power supply before cleaning.

Always allow the appliance to cool before cleaning.

If grease is permitted to accumulate, it will begin to carbonised into a hard substance that is extremely difficult to remove. To prevent this follow the cleaning steps below:

- Regularly remove excess grease or fat using a cloth dampened with warm soapy water.
- Take care when using scrapers to remove cooking residues as they can damage the cooking surface.
- Dry thoroughly after cleaning.

For best performance, Apuro recommend that the appliance is cleaned after each day of operation.

Failure to clean the appliance regularly may result in premature activation of the thermal cut-out switch.

Scraping

- After each use, scrape the appliance with a soft plastic or wooden scraper to remove excess fat and food.
- If there is an accumulation of burned fat or food, the cooking surface should be thoroughly scoured.

Caution:

It is vital that the cooking surface is lightly oiled after scouring.

Do not use steel wool as it may leave shards that could contaminate food.

Waste Tray

- This appliance is featured with a waste tray to collect any liquid or fats that run off during cooking.
- At least once a day, remove and empty the waste tray before washing with warm soapy water. Do not allow the tray to overflow.

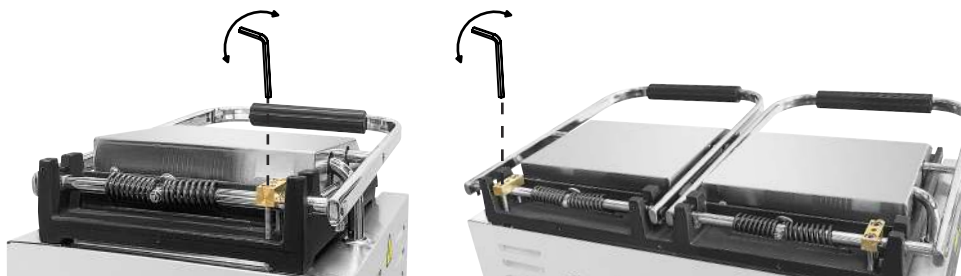
Warning: DO NOT remove the tray during or immediately after use as the contents are still hot.

Adjusting Top Plate Tension



Note: If top plate becomes loose/ stiff use an Allen key to adjust the tension. Apuro recommend the appliance is disconnected from the power supply and allowed to cool before any adjustments are made.

1. Remove the screws fixing the back cover then remove the back cover.
2. Use an Allen key to adjust the tension of the top plate. Turn clockwise to tighten, anti-clockwise to loosen.



Troubleshooting

A qualified technician must carry out repairs if required.

Fault	Probable Cause	Solution
The appliance is not working	The unit is not switched on	Check the unit is plugged in correctly and switched on
	Plug or lead is damaged	Replace plug or lead
	Mains power supply fault	Check mains power supply
HEAT indicator light comes on but appliance does not heat up	Faulty element	Consult a qualified technician
	Faulty thermostat	Consult a qualified technician
	Thermostat set incorrectly	Check thermostat
Appliance slow to heat up	Cooking surface not clean	Clean cooking surface
	Faulty element	Consult a qualified technician
Surface flaking	Build up of carbonised food debris	Refer to "Cleaning, Care & Maintenance" section
No power	Thermal cut-out switch has been activated	Check the machine is safe with no obvious damage and then press the re-set switch on rear of unit

Technical Specifications

Note: Due to our continuous improvement process, the product specifications are subject to change without notice.

Model	Voltage	Power	Plate Type		Dimensions H x W x D mm	Net Weight
			Top	Bottom		
CU600-A	220-240V~ 50/60Hz	1450W	Rib	Rib	200 x 310 x 310	14.4kg
CU601-A			Flat	Flat		14kg
CU602-A		2200W	Rib	Rib	200 x 430 x 310	19.3kg
CU603-A			Flat	Flat		19.1kg
CU604-A		2900W	Rib	Rib	200 x 570 x 310	27.8kg
CU605-A			Flat	Flat		25.2kg
CU606-A			Rib	Flat		25.3kg

Electrical Wiring

The plug is to be connected to a suitable mains socket.

This appliance is wired as follows:

- Live wire (coloured brown) to terminal marked L
- Neutral wire (coloured blue) to terminal marked N
- Earth wire (coloured green/yellow) to terminal marked E

This appliance must be earthed.



If in doubt consult a qualified electrician.

Electrical isolation points must be kept clear of any obstructions. In the event of any emergency disconnection being required they must be readily accessible.

Compliance

The product must not be disposed of as household waste. To help prevent possible harm to human health and/or the environment, the product must be disposed of in an approved and environmentally safe recycling process. For further information on how to dispose of this product correctly, contact the product supplier, or the local authority responsible for waste disposal in your area.

Apuro parts have undergone strict product testing in order to comply with regulatory standards and specifications set by international, independent, and federal authorities.

Apuro products have been approved to carry the following symbol:



All rights reserved. No part of these instructions may be produced or transmitted in any form or by any means, electronic, mechanical, photocopying, recording or otherwise, without the prior written permission of Apuro.

Every effort is made to ensure all details are correct at the time of going to press, however, Apuro reserve the right to change specifications without notice.

DECLARATION OF CONFORMITY

- Conformiteitsverklaring • Déclaration de conformité • Konformitätserklärung • Dichiarazione di conformità •
- Declaración de conformidad • Declaração de conformidade

Equipment Type • Uitrustingstype • Type d'équipement • Gerätetyp • Tipo di apparecchiatura • Tipo de equipo • Tipo de equipamento	Model • Modèle • Modell • Modello • Modelo • Malli
Bistro Single Contact Grill-Ribbed/Ribbed plate Bistro Single Contact Grill-Flat/Flat plate Bistro Large contact Grill-Ribbed/Ribbed plate Bistro Large contact Grill-Flat/Flat plate Bistro Double contact grill-Ribbed/ribbed plate Bistro Double contact grill-Flat/Flat plate Bistro Double contact grill-Ribbed/Flat plate	CU600-A CU601-A CU602-A CU603-A CU604-A CU605-A CU606-A
Application of Territory Legislation & Council Directives(s) Toepassings van Europese Richtlijn(en) • Application de la/des directive(s) du Conseil • Anwendbare EU-Richtlinie(n) • Applicazione delle Direttive • Aplicación de la(s) directiva(s) del consejo • Aplicação de directiva(s) do Conselho	Electrical Safety IEC 60335-1:2010 +A1:2013 +A2:2016 IEC 60335-2-38:2002 +A1:2008 Electro-Magnetic Compatibility (EMC) EN IEC 55014-1:2021 EN IEC 55014-2:2021 EN IEC 61000-3-2: 2019 +A1:2021 EN 61000-3-3: 2013 +A1:2019 +A2:2021
Manufacturer Name • Naam fabrikant • Nom du fabricant • Name des Herstellers • Nome del fabbricante • Nombre del fabricante	Apuro

I, the undersigned, hereby declare that the equipment specified above conforms to the above Territory Legislation, Directive(s) and Standard(s).

Ik, de ondergetekende, verklaar hierbij dat de hierboven gespecificeerde uitrusting goedgekeurd is volgens de bovenstaande Richtlijn(en) en Standaard(en).

Je soussigné, confirme la conformité de l'équipement cité dans la présente à la / aux Directive(s) et Norme(s) ci-dessus
 Ich, der/die Unterzeichnende, erkläre hiermit, dass das oben angegebene Gerät der/den oben angeführten Richtlinie(n) und Norm(en) entspricht.

Il sottoscritto dichiara che l'apparecchiatura di sopra specificata è conforme alle Direttive e agli Standard sopra riportati.
 El abajo firmante declara por la presente que el equipo arriba especificado está en conformidad con la(s) directiva(s) y estándar(es) arriba mencionadas.

Eu, o abaixo-assinado, declaro que o equipamento anteriormente especificado está em conformidade com a(s) anterior(es) Directiva(s) e Norma(s)

Date • Data • Date • Datum •

Data • Fecha • Data

Signature • Handtekening •
 Signature • Unterschrift Firma •
 Firma • Assinatura

Full Name • Volledige naam • Nom et prénom • Vollständiger Name •
 Nome completo • Nombre complete •
 Nome por extenso

Position • Functie • Fonction •
 Position • Qualifica • Posición •
 Função

Manufacturer Address • Adres fabrikant • Adresse du fabricant •
 Adresse des Herstellers • Indirizzo del fabbricante • Dirección del fabricante

20th Dec 2023

DocuSigned by:

Ashley Hooper

B39382C9FD9C478

Ashley Hooper

Group Head of Product Quality & Compliance

**Fourth Way,
 Avonmouth,
 Bristol,
 BS11 8TB
 United Kingdom**

DocuSigned by:

Brendan Denmeade

386FAD00DFE8483...

Brendan Denmeade

Commercial Manager/ Responsible Supplier

**15 Badgally Road,
 Campbelltown
 NSW 2560**





CU600-A to CU606-A_A5_v2_2024/11/15