

apuro

Blender

Instruction manual



Model:
CR836-A / DR825-A

Safety Instructions

- Position on a flat, stable surface.
- A service agent/qualified technician should carry out installation and any repairs if required. Do not remove any components on this product.
- Consult Local and National Standards to comply with the following:
 - Health and Safety at Work Legislation
 - Fire Precautions
 - Wiring Regulations
 - Building Regulations
- DO NOT use jet/pressure washers to clean the appliance.
- DO NOT immerse the appliance in water.
- This appliance is only used for blending food. Do not use the appliance for anything other than its intended use.
- Always switch off and disconnect the power supply to the appliance when not in use.
- Not suitable for outdoor use..
- Keep all packaging away from children. Dispose of the packaging in accordance to the regulations of local authorities.
- If the power cord is damaged, it must be replaced by an Apuro agent or a recommended qualified technician in order to avoid a hazard.
- This appliance is not intended for use by persons (including children) with reduced physical, sensory or mental capabilities, or lack of experience and knowledge, unless they have been given supervision or instruction concerning the use of the appliance by a person responsible for their safety.
- Children should be supervised to ensure that they do not play with the appliance.
- Do not let cord hang over edge of table or counter, or touch hot surfaces.

- Keep hands and utensils out of the jug while motor is running to prevent severe personal injury and / or damage to the blender.
- **Blade is sharp – handle carefully.**
- Never try to remove blade while jug is sitting on the blender base.
- Do not operate with loose or damaged blades.
- Do not place jug on to base with On/Off switch in the On position.
- Always operate with lid in place.
- Suitable for blending both hot and cold ingredients up to 85°C.
- Do not leave blender unattended while in use.
- APURO recommend that this appliance should be periodically tested (at least annually) by a Competent Person. Testing should include, but not be limited to: Visual Inspection, Polarity Test, Earth Continuity, Insulation Continuity and Functional Test.

Introduction

Please take a few moments to carefully read through this manual. Correct maintenance and operation of this machine will provide the best possible performance from your Apuro product.

Product Description

CR836-A - Apuro Blender - 2.5L Jug

DR825-A - Apuro Blender - 2.5L Jug with Sound Enclosure

Pack Contents

The following is included:

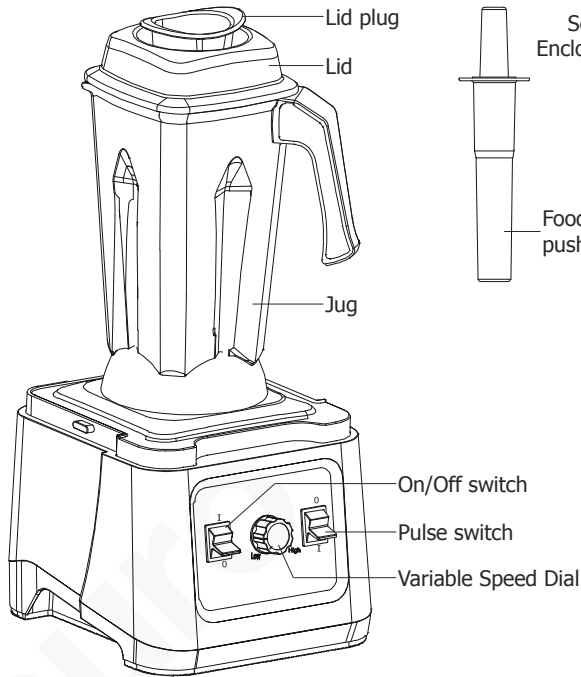
- Apuro Blender
- Blender Jug, lid and lid plug
- Food pusher
- Instruction manual

Apuro prides itself on quality and service, ensuring that at the time of unpacking the contents are supplied fully functional and free of damage.

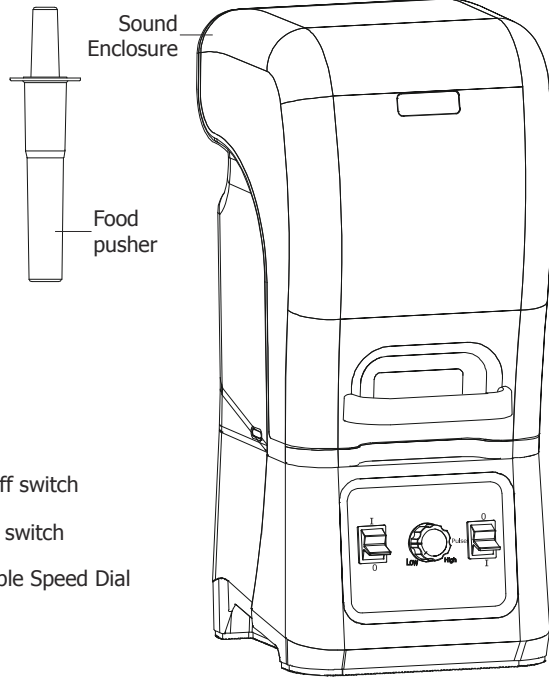
Should you find any damage as a result of transit, please contact your Apuro dealer immediately.

Operation

Model: CR836-A



Model: DR825-A



Controls

- On/Off switch: Up for On (**I**), down for Off (**O**)
- Variable Speed Dial: Allows continual adjustment of speed from **low** to **high**
- Pulse Switch: Down to pulse at high speed

Blending



Before use, ensure to

- **Clean all removable parts thoroughly.**
- **Turn off On/Off switch (O position).**

1. Plug in Blender.
2. Place ingredients into blender.
3. Secure the lid and lid plug (**Note: Always operate with the lid secured**).
4. Locate jug on to body of blender.
5. Select speed using variable speed dial.
6. Turn on blender using On/Off switch.
7. **Using the pulse function:** Set the Pulse switch to **I** position and hold to start pulse function. Release to stop.



Note: When blending dry ingredients best results will be obtained by cutting ingredients into small pieces and adding to the blender through the hole in the lid when motor is running.



Note: Before removing jug, ensure to turn off blender using On/Off switch and let the motor come to a complete stop.

Cleaning, Care & Maintenance

- Always disconnect from power supply before cleaning.
- Always allow to cool before cleaning.
- Let the motor come to a complete stop before removing the jug.
- The jug is NOT dishwasher proof!
- Use warm, soapy water and a damp cloth to clean the jug.



Warning: Blade is sharp - handle with care.

- Dry thoroughly after cleaning.



Warning: Do not allow any water to spill into the body of the appliance when cleaning.

Troubleshooting

A qualified technician must carry out repairs if required.

Fault	Probable Cause	Solution
The unit is not working	The unit is not switched on	Check the unit is plugged in correctly and switched on
	Plug or lead is damaged	Replace plug or lead
	Mains power supply fault	Check mains power supply
	Jug incorrectly located on body of appliance	Relocate Jug

Technical Specifications

Note: Due to our continuous improvement process, the product specifications are subject to change without notice.

Model	Voltage	Power	Current	Jug Capacity	Dimensions h x w x d mm	Weight
CR836-A	220-240V~ 50/60Hz	1680W	8A	2.5L	535 x 236 x 253	5.9kg
DR825-A	220-240V~ 50/60Hz	1680W	8A	2.5L	547 x 236 x 253	8.9kg

Electrical Wiring

The plug is to be connected to a suitable mains socket.

This appliance is wired as follows:

- Live wire (coloured brown) to terminal marked L
- Neutral wire (coloured blue) to terminal marked N
- Earth wire (coloured green/yellow) to terminal marked E

This appliance must be earthed.



If in doubt consult a qualified electrician.

Electrical isolation points must be kept clear of any obstructions. In the event of any emergency disconnection being required they must be readily accessible.

Compliance

The product must not be disposed of as household waste. To help prevent possible harm to human health and/or the environment, the product must be disposed of in an approved and environmentally safe recycling process. For further information on how to dispose of this product correctly, contact the product supplier, or the local authority responsible for waste disposal in your area.

Apuro parts have undergone strict product testing in order to comply with regulatory standards and specifications set by international, independent, and federal authorities.

Apuro products have been approved to carry the following symbol:



All rights reserved. No part of these instructions may be produced or transmitted in any form or by any means, electronic, mechanical, photocopying, recording or otherwise, without the prior written permission of Apuro.

Every effort is made to ensure all details are correct at the time of going to press, however, Apuro reserve the right to change specifications without notice.

DECLARATION OF CONFORMITY

- Conformiteitsverklaring • Déclaration de conformité • Konformitätserklärung • Dichiarazione di conformità •
- Declaración de conformidad • Declaração de conformidade

Equipment Type • Uitrustingstype • Type d'équipement • Gerätetyp • Tipo di apparecchiatura • Tipo de equipo	Model • Modèle • Modell • Modello • Modelo
Blender with touch control - 2.5Ltr Jug Blender with touch control - 2.5Ltr Jug - with Sound Enclosure Blender - 2.5Ltr Jug Blender - 2.5Ltr Jug - with Sound Enclosure	CY140-A CY141-A CR836-A DR825-A
Application of Territory Legislation & Council Directives(s) Toepassing van Europese Richtlijn(en) • Application de la/des directive(s) du Conseil • Anwendbare EU-Richtlinie(n) • Applicazione delle Direttive • Aplicación de la(s) directiva(s) del consejo	Electrical Safety EN 60204-1:2018 EN 12852:2001 +A1:2010 EN ISO 12100: 2010 Electro-Magnetic Compatibility (EMC) EN IEC 55014-1:2021 EN IEC 55014-2:2021 EN IEC 61000-3-2: 2019 +A1:2021 EN 61000-3-3: 2013 +A1: 2019 +A2: 2021
Manufacturer Name • Naam fabrikant • Nom du fabricant • Name des Herstellers • Nome del fabbricante • Nombre del fabricante	Apuro

I, the undersigned, hereby declare that the equipment specified above conforms to the above Territory Legislation, Directive(s) and Standard(s).

Ik, de ondergetekende, verklaar hierbij dat de hierboven gespecificeerde uitrusting goedgekeurd is volgens de bovenstaande Richtlijn(en) en Standaard(en).

Je soussigné, confirme la conformité de l'équipement cité dans la présente à la / aux Directive(s) et Norme(s) ci-dessus
Ich, der/die Unterzeichnende, erkläre hiermit, dass das oben angegebene Gerät der/den oben angeführten Richtlinie(n) und Norm(en) entspricht.

Il sottoscritto dichiara che l'apparecchiatura di sopra specificata è conforme alle Direttive e agli Standard sopra riportati.

El abajo firmante declara por la presente que el equipo arriba especificado está en conformidad con la(s) directiva(s) y estándar(es) arriba mencionadas.

Date • Data • Date • Datum • Data
• Fecha

Signature • Handtekening • Signature
• Unterschrift Firma • Firma

Full Name • Volledige naam • Nom et prénom • Vollständiger Name • Nome completo • Nombre completo

Position • Functie • Fonction • Position • Qualifica • Posición

Manufacturer Address • Adres fabrikant • Adresse du fabricant • Adresse des Herstellers • Indirizzo del fabbricante • Dirección del fabricante

15 th Oct 2024	
DocuSigned by: <i>Ashley Hooper</i> B39382C9FD9C478...	DocuSigned by: <i>Brendan</i> 386FAD00DFE8483...
Ashley Hooper	Brendan Denmeade
Group Head of Product Quality & Compliance	Commercial Manager/ Responsible Supplier
Fourth Way, Avonmouth, Bristol, BS11 8TB United Kingdom	15 Badgally Road, Campbelltown NSW 2560



apuro

CR836-A_DR825-A_A5_v4_2025/06/26