

TITLE: **UNICA START - 8 BOTT.**

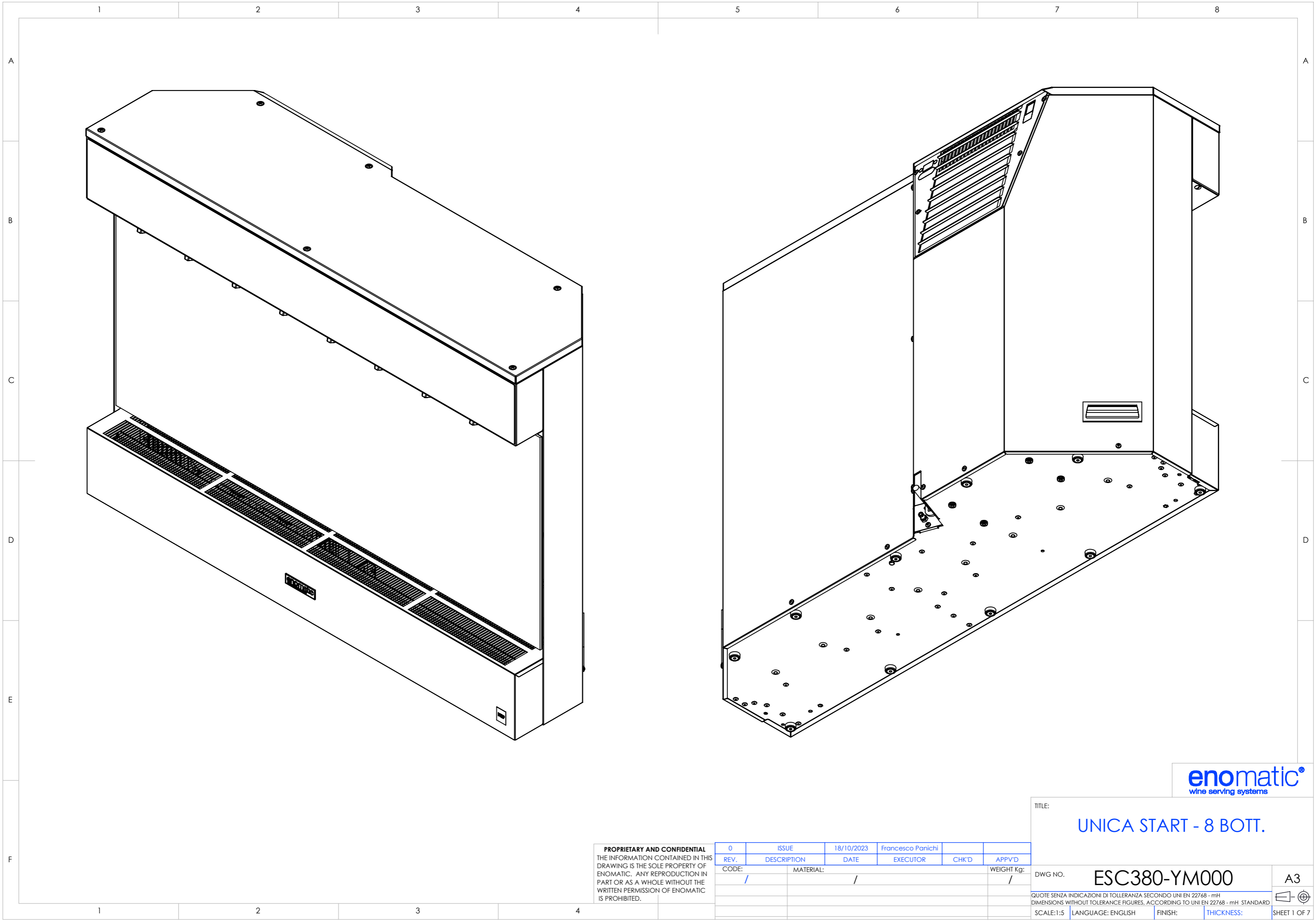
DWG NO. **ESC380-YM000**

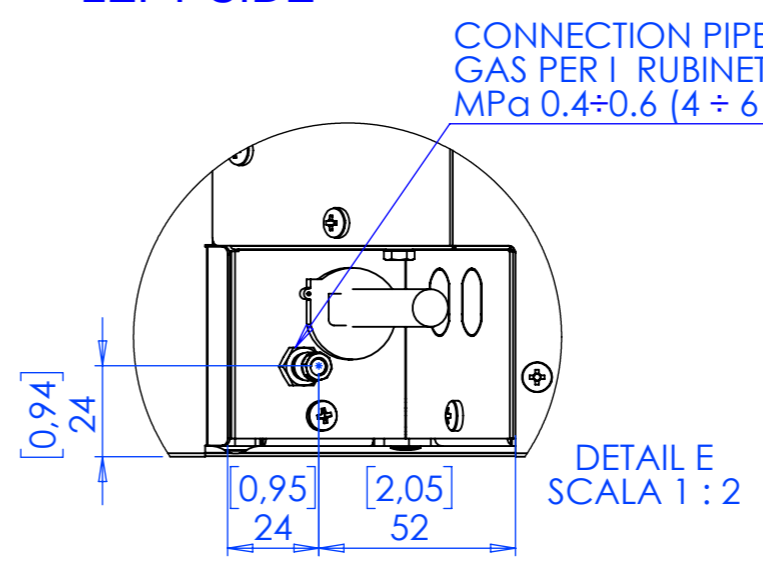
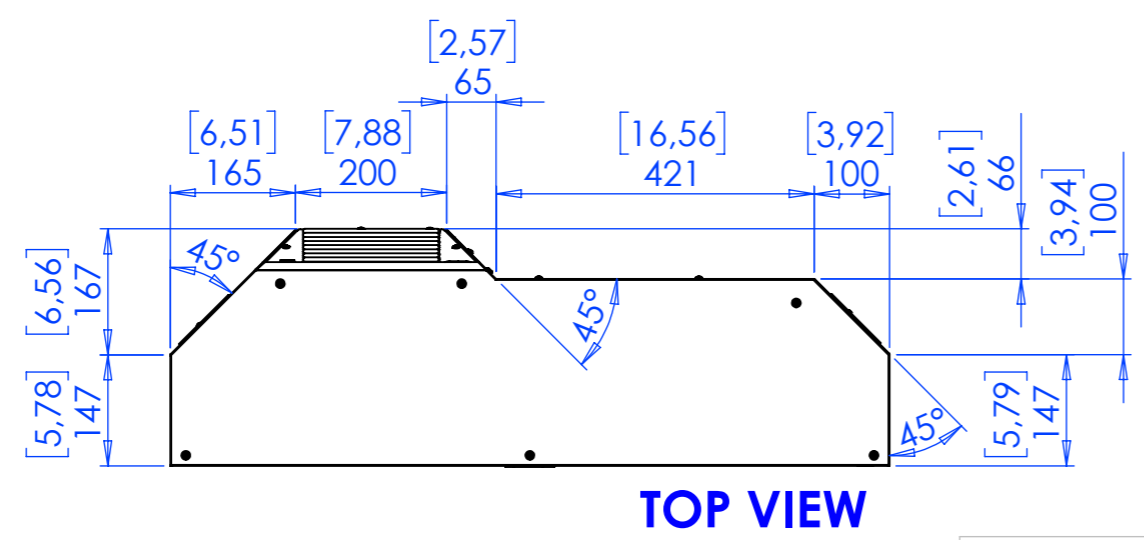
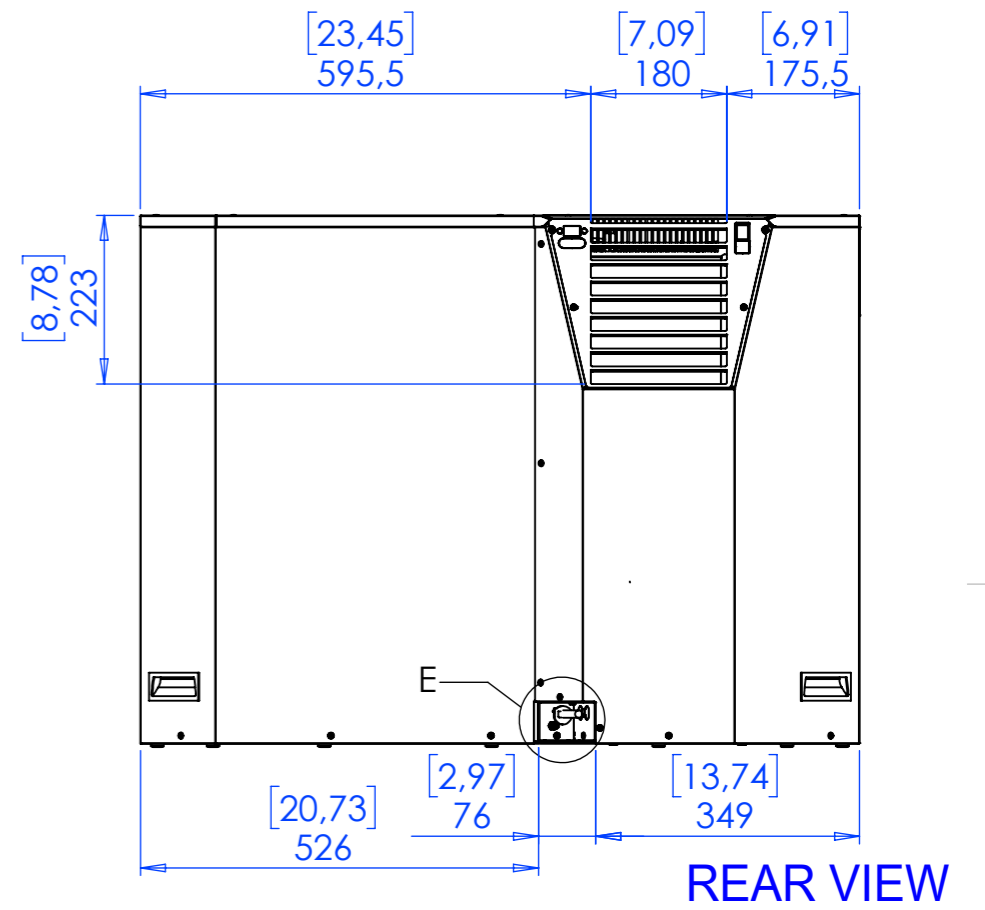
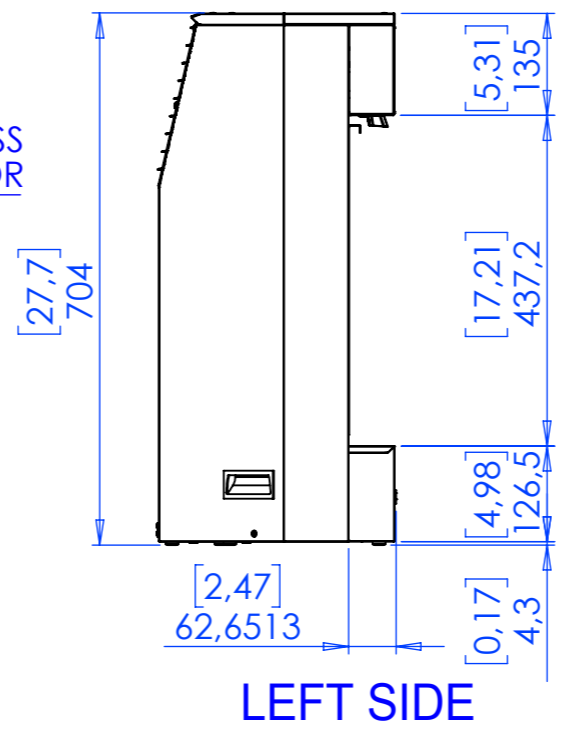
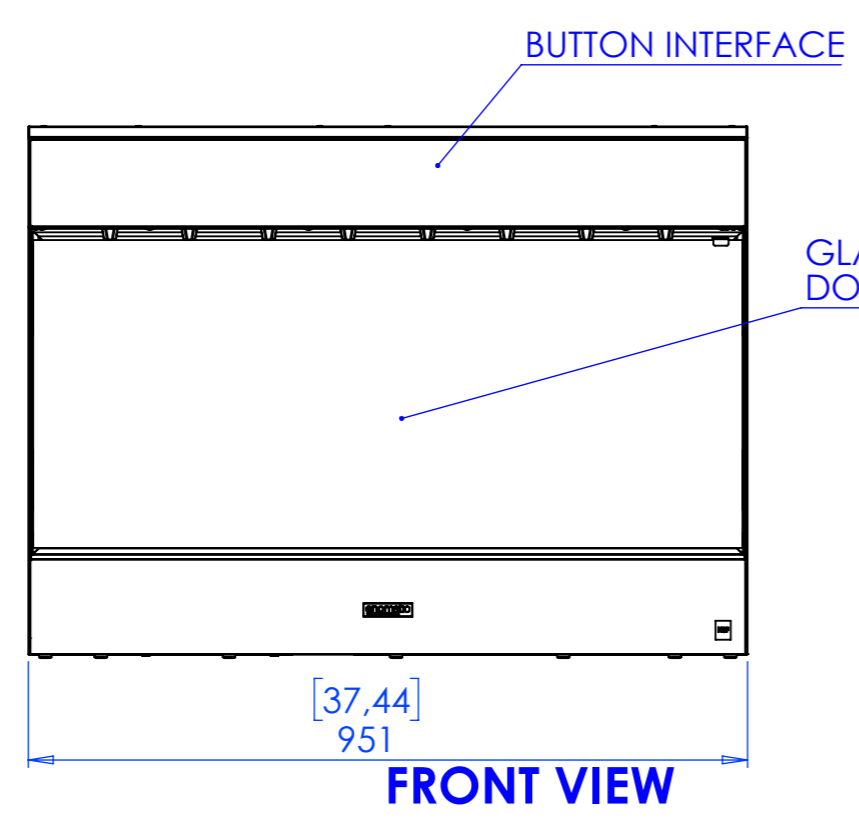
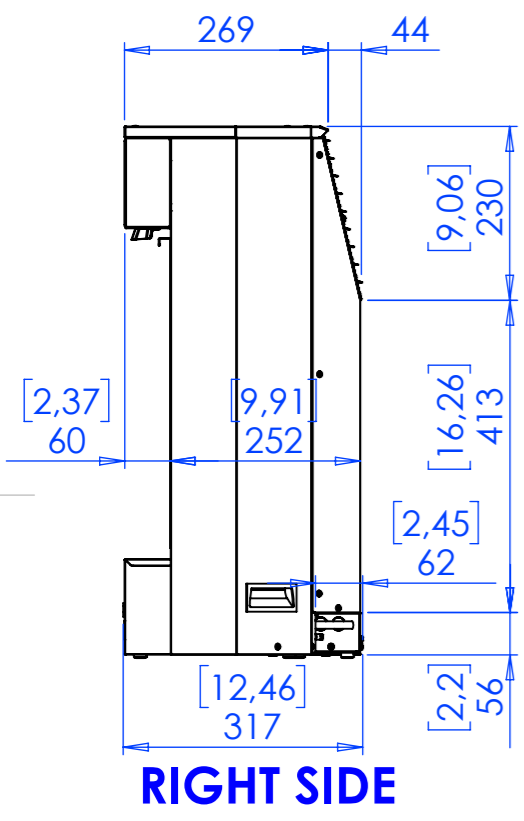
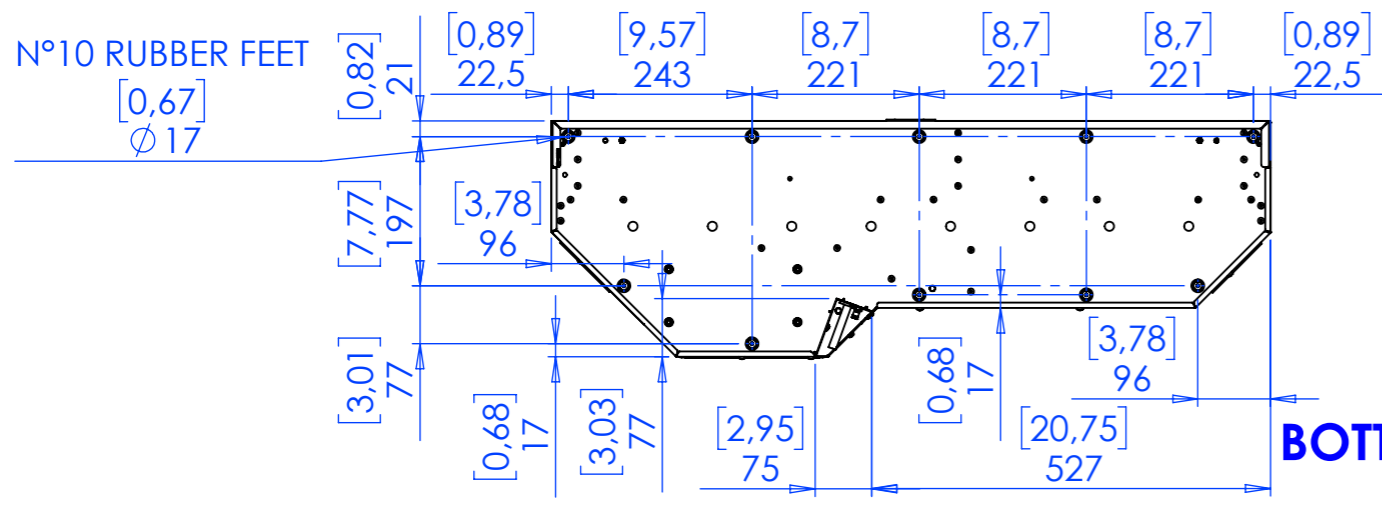
SCALE: 1:5 LANGUAGE: ENGLISH FINISH: THICKNESS:

A3 SHEET 1 OF 7

PROPRIETARY AND CONFIDENTIAL
 THE INFORMATION CONTAINED IN THIS DRAWING IS THE SOLE PROPERTY OF ENOMATIC. ANY REPRODUCTION IN PART OR AS A WHOLE WITHOUT THE WRITTEN PERMISSION OF ENOMATIC IS PROHIBITED.

REV.	DESCRIPTION	DATE	EXECUTOR	CHK'D	APPV'D
0	ISSUE	18/10/2023	Francesco Panichi		
CODE:	MATERIAL:				WEIGHT Kg:
/	/				/





NOTE
- ALL DIMENSIONS ARE IN mm [inches]

PROPRIETARY AND CONFIDENTIAL
THE INFORMATION CONTAINED IN THIS DRAWING IS THE SOLE PROPERTY OF ENOMATIC. ANY REPRODUCTION IN PART OR AS A WHOLE WITHOUT THE WRITTEN PERMISSION OF ENOMATIC IS PROHIBITED.

REV.	DESCRIPTION	DATE	EXECUTOR	CHK'D	APPV'D
CODE:	MATERIAL:				WEIGHT Kg:
/	/	/	/	/	/

enomatic®
wine serving systems

TITLE: **UNICA START - 8 BOTT.**

DWG NO. **ESC380-YM000**

SCALE:1:10 LANGUAGE: ENGLISH FINISH: THICKNESS: A3

QUOTE SENZA INDICAZIONI DI TOLLERANZA SECONDO UNI EN 22768 - mH
DIMENSIONS WITHOUT TOLERANCE FIGURES, ACCORDING TO UNI EN 22768 - mH STANDARD

SHEET 2 OF 7

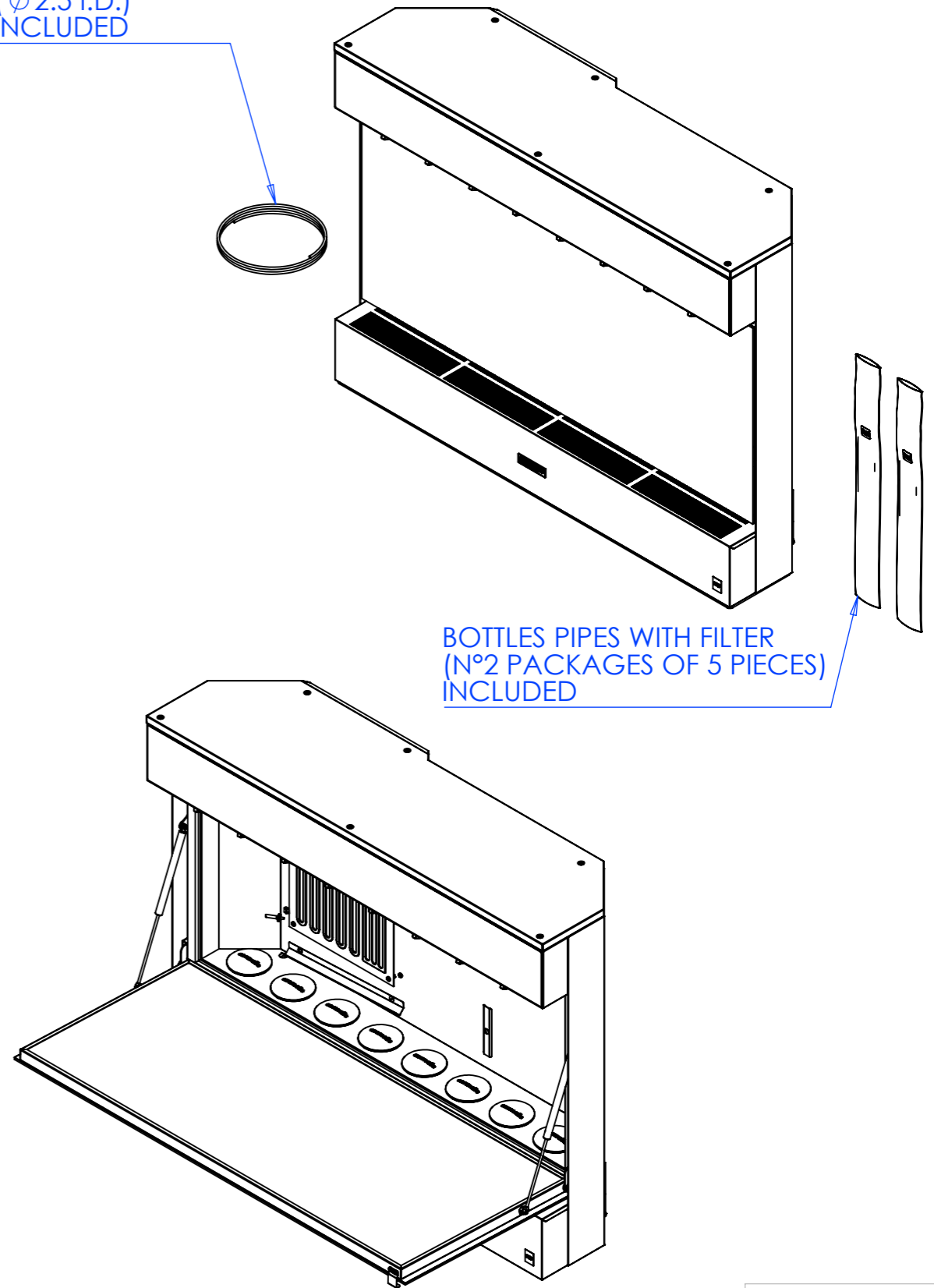
UNICA START - 8 BOTTLES							
SIZE	HEIGHT (MIN -MAX)	704 mm [27.72]					
	DEPTH	317 mm [12.48]					
	WIDTH	951 mm [37.44]					
WEIGHT (Kg)	55 Kg						
FINISH MATERIALS	STAINLESS STEEL AISI 304 - GLASS						
ELETRICAL FEATURES	AVAILABLE MODEL	VOLTAGE (V)	100	120	127	220-240	
		FREQUENCY (Hz)	50-60	60	60	50-60	
	R600a	AMPS (A)	1.1	1	1.1	0.5	
REFRIGERATION SPECIFICATION	REFRIGERATION GAS	R600a					
	TEMPERATURE CONTROL	ELECTRONIC CONTROLLER					
	DEFROST METHOD	AUTOMATIC VIA ELECTRONIC CONTROLLER					
	METHOD FOR TEMPERATURES CONTROL	LED					
PRESSURE GAS INLET FOR TAPS (ARGON OR NITROGEN)		MPa 0.4÷0.6 (4÷6 Bar)					
ACCEPTED BOTTLES	HEIGHT	233÷350mm [8.66÷14.37]					
	Ø MAX	TAP 1	105 mm [4.13]				
		TAP 2	101 mm [3.98]				
		TAP 3	93 mm [3.66]				
		TAP 4	90 mm [3.54]				
		TAP 5	97 mm [3.82]				
		TAP 6	105 mm [4.13]				
		TAP 7	105 mm [4.13]				
		TAP 8	105 mm [4.13]				

NOTE

- ALL DIMENSIONS ARE IN mm [inches]

PROPRIETARY AND CONFIDENTIAL
 THE INFORMATION CONTAINED IN THIS DRAWING IS THE SOLE PROPERTY OF ENOMATIC. ANY REPRODUCTION IN PART OR AS A WHOLE WITHOUT THE WRITTEN PERMISSION OF ENOMATIC IS PROHIBITED.

3 METERS OF PIPE
 Ø4mm O.D.
 (Ø2.5 I.D.)
 INCLUDED



BOTTLES PIPES WITH FILTER
 (N°2 PACKAGES OF 5 PIECES)
 INCLUDED

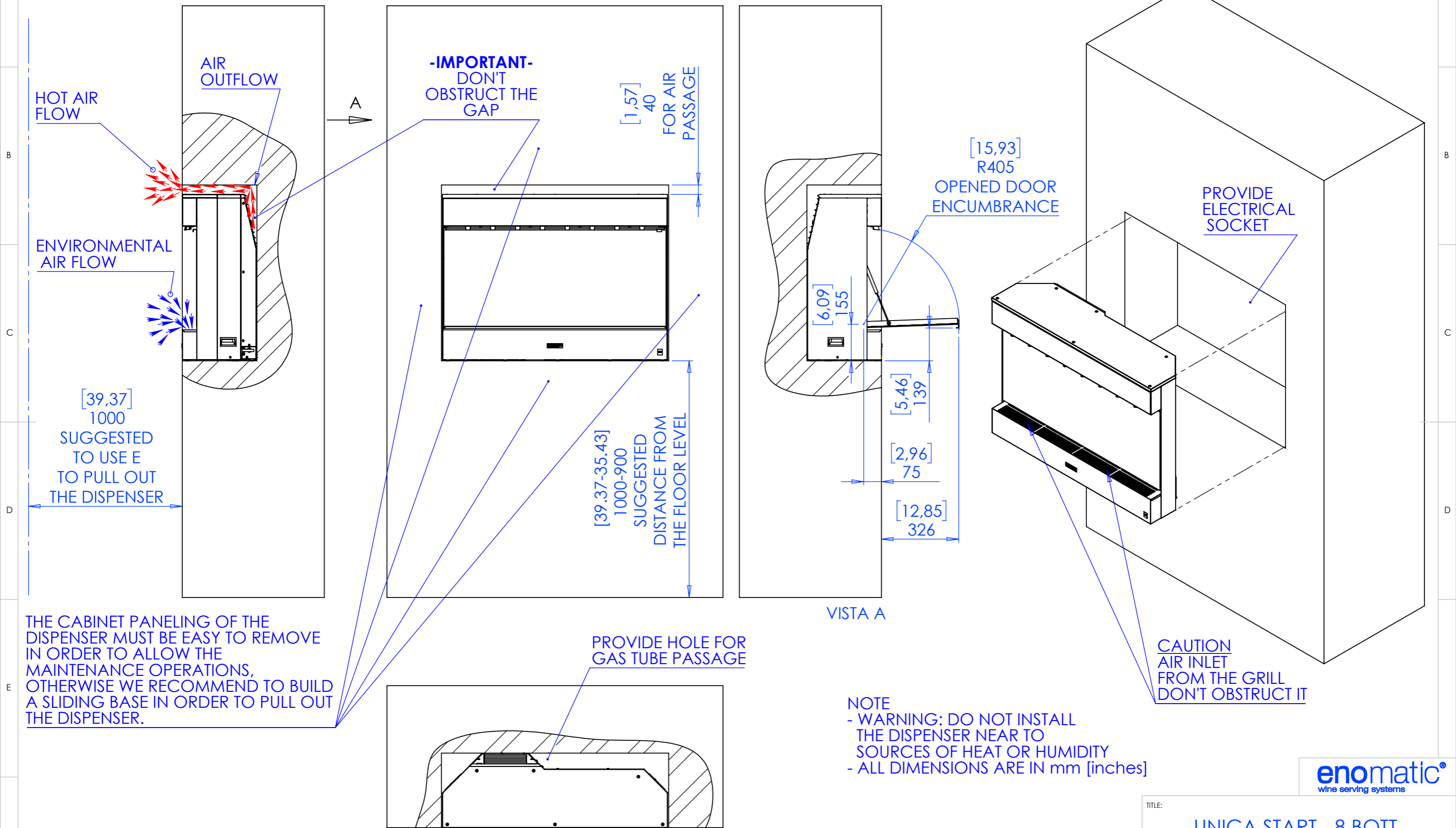


TITLE:
UNICA START - 8 BOTT.

REV.	DESCRIPTION	DATE	EXECUTOR	CHK'D	APPV'D
CODE:	MATERIAL:				WEIGHT Kg:
/	/	/	/	/	/

DWG NO.	ESC380-YM000	A3
QUOTE SENZA INDICAZIONI DI TOLLERANZA SECONDO UNI EN 22768 - mH DIMENSIONS WITHOUT TOLERANCE FIGURES, ACCORDING TO UNI EN 22768 - mH STANDARD		
SCALE:1:10	LANGUAGE: ENGLISH	FINISH: THICKNESS: SHEET 4 OF 7

1 - EXAMPLE OF INSTALLATION - POSITIONING IN FORESEEN BOX (REFER TO MINIMAL REQUIRED CLEARANCE FOR PROPER PERFORMANCES)

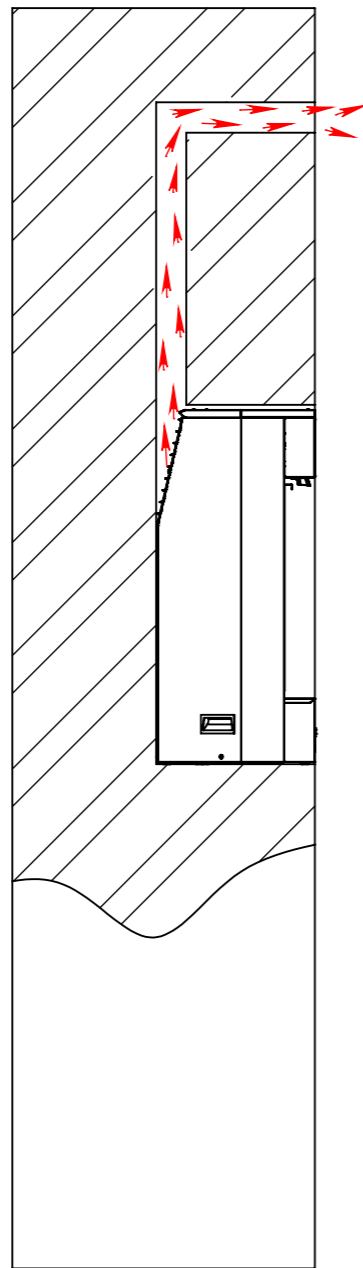
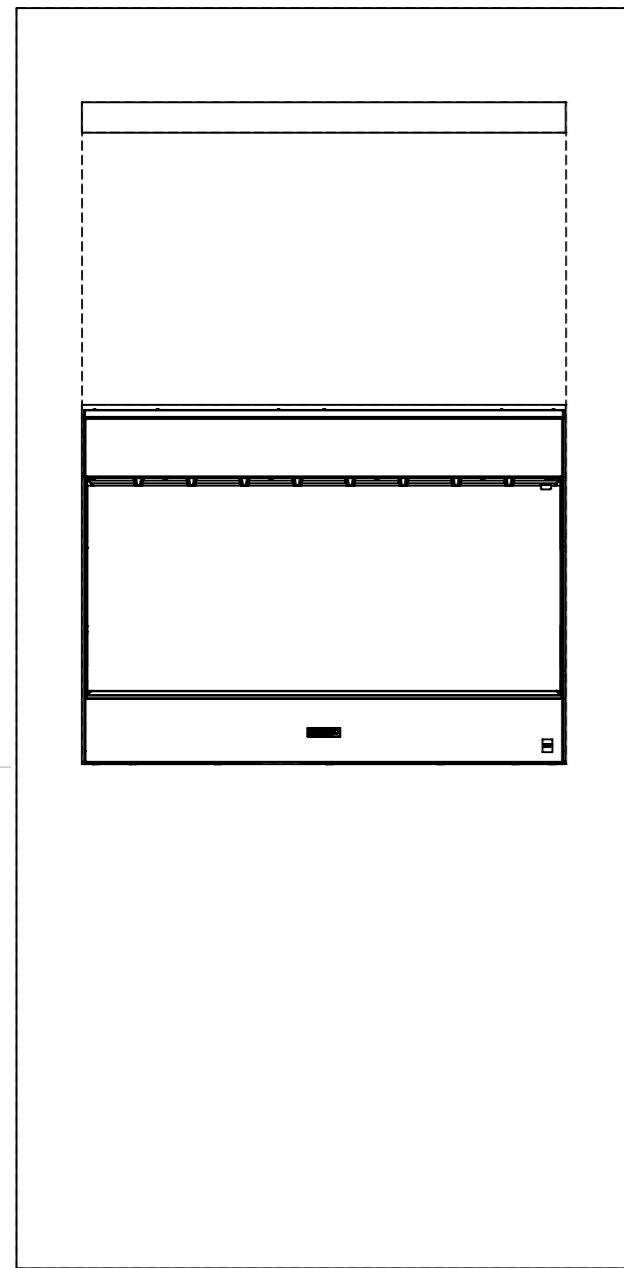


TITLE:		UNICA START - 8 BOTT.	
DWG NO.	ESC380-YM000	A3	
QUOTE SENZA INDICAZIONI DI TOLLERANZA SECONDO UNI EN 22768 - mH DIMENSIONS WITHOUT TOLERANCE FIGURES, ACCORDING TO UNI EN 22768 - mH STANDARD			
SCALE:1:15	LANGUAGE: ENGLISH	FINISH:	THICKNESS:
SHEET 5 OF 7			

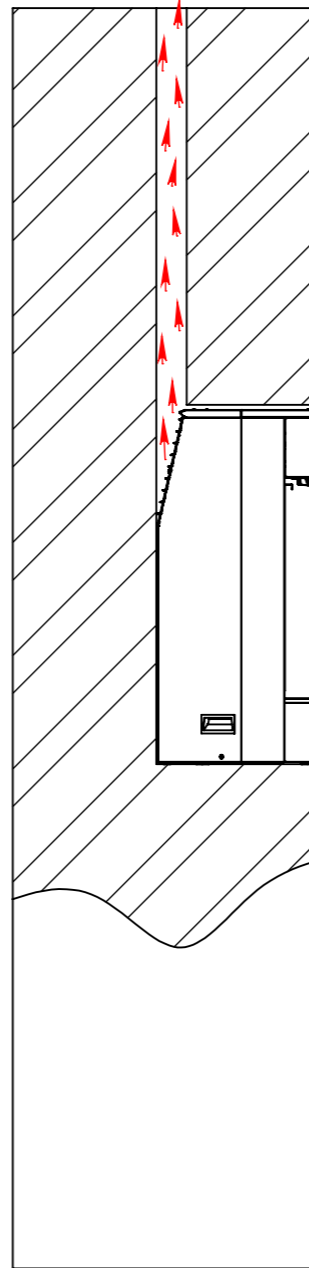
PROPRIETARY AND CONFIDENTIAL
 THE INFORMATION CONTAINED IN THIS DRAWING IS THE SOLE PROPERTY OF ENOMATIC. ANY REPRODUCTION IN PART OR AS A WHOLE WITHOUT THE WRITTEN PERMISSION OF ENOMATIC IS PROHIBITED.

REV.	DESCRIPTION	DATE	EXECUTOR	CHK'D	APPV'D
CODE:	MATERIAL:				WEIGHT Kg:
/	/	/	/	/	/

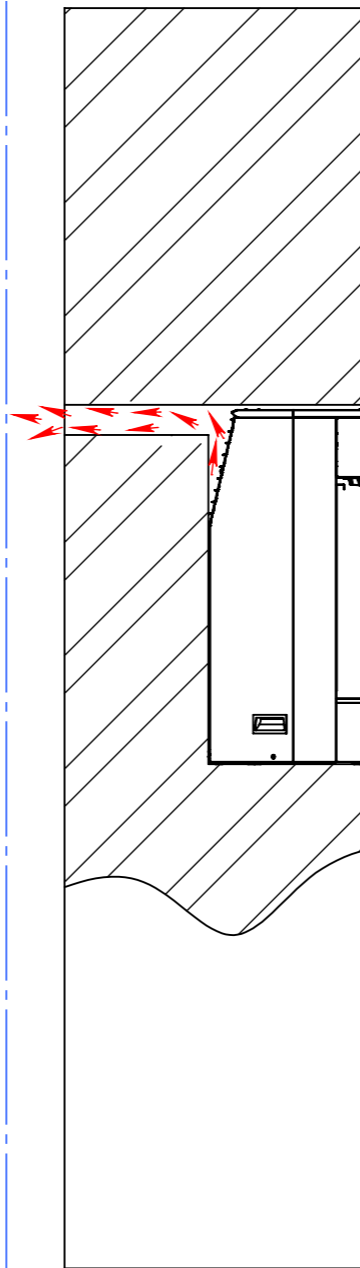
**3 - N°4 EXAMPLE OF INSTALLATION - BUILT-IN POSITIONING -
PASSAGE OF AIR FOR EACH DISPENSER BIGGER OF 10000 mm² [15,5 in²]**



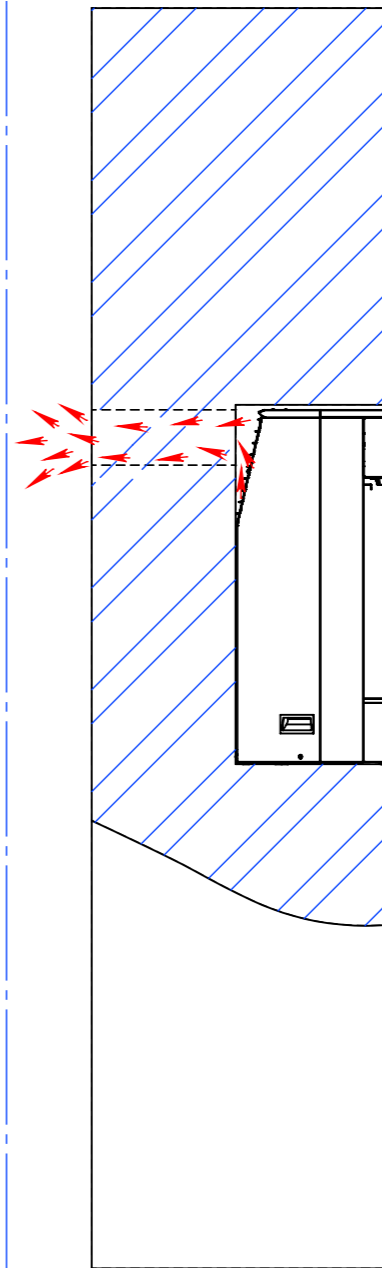
1



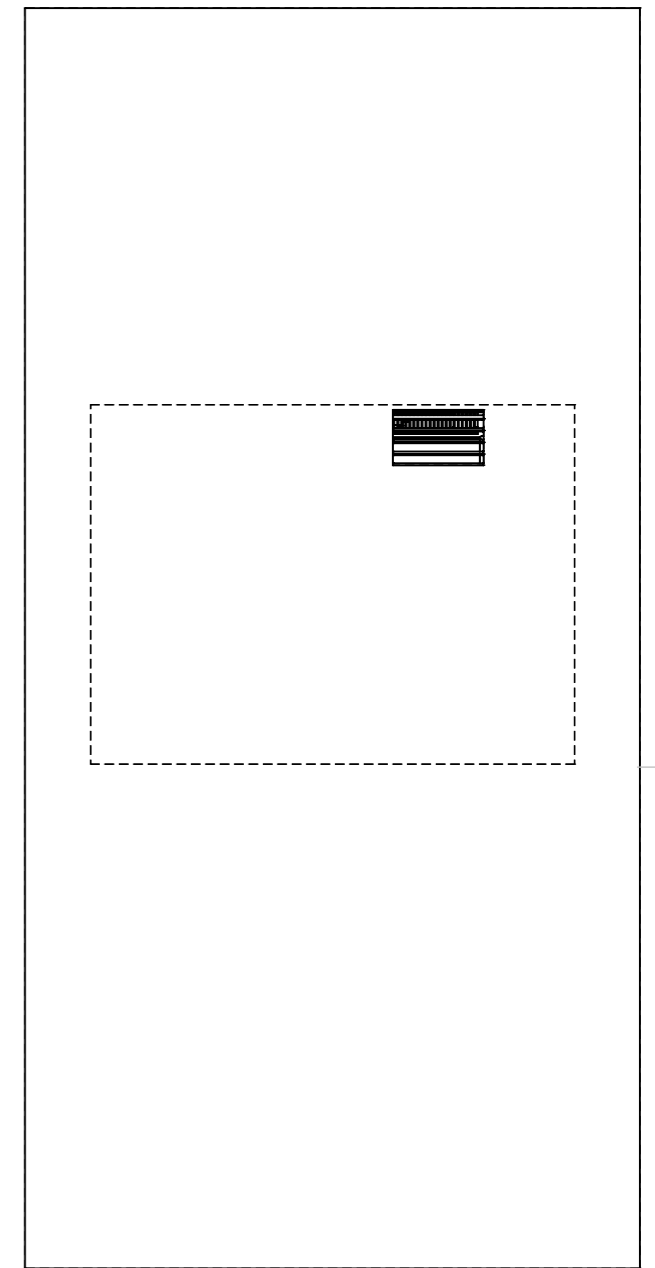
2



3



4



enomatic[®]
wine serving systems

TITLE:
UNICA START - 8 BOTT.

PROPRIETARY AND CONFIDENTIAL
THE INFORMATION CONTAINED IN THIS DRAWING IS THE SOLE PROPERTY OF ENOMATIC. ANY REPRODUCTION IN PART OR AS A WHOLE WITHOUT THE WRITTEN PERMISSION OF ENOMATIC IS PROHIBITED.

REV.	DESCRIPTION	DATE	EXECUTOR	CHK'D	APPV'D
CODE:	MATERIAL:				WEIGHT Kg:
/	/				/

DWG NO. **ESC380-YM000**

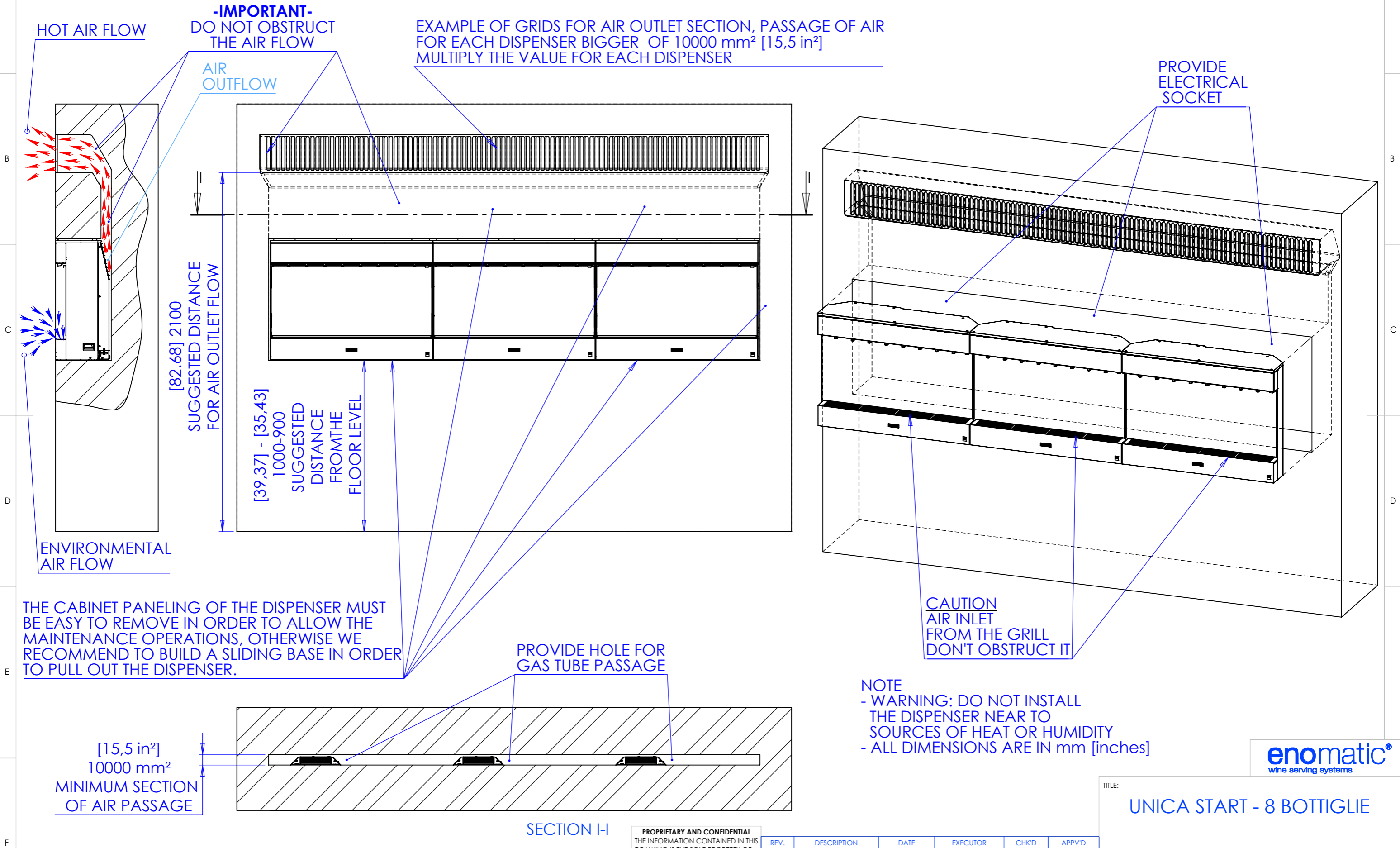
A3

QUOTE SENZA INDICAZIONI DI TOLLERANZA SECONDO UNI EN 22768 - mH
DIMENSIONS WITHOUT TOLERANCE FIGURES, ACCORDING TO UNI EN 22768 - mH STANDARD

SCALE:1:15 LANGUAGE: ENGLISH FINISH: THICKNESS:

SHEET 6 OF 7

3 - EXAMPLE OF INSTALLATION - BUILT-IN POSITIONING
 (REFER TO MINIMAL REQUIRED CLEARANCE FOR PROPER PERFORMANCES)



THE CABINET PANELING OF THE DISPENSER MUST BE EASY TO REMOVE IN ORDER TO ALLOW THE MAINTENANCE OPERATIONS, OTHERWISE WE RECOMMEND TO BUILD A SLIDING BASE IN ORDER TO PULL OUT THE DISPENSER.

NOTE
 - WARNING: DO NOT INSTALL THE DISPENSER NEAR TO SOURCES OF HEAT OR HUMIDITY
 - ALL DIMENSIONS ARE IN mm [inches]



TITLE:		UNICA START - 8 BOTTIGLIE	
DWG NO.	ESC380-YM000	A3	
QUOTE SENZA INDICAZIONI DI TOLLERANZA SECONDO UNI EN 22768 - mH DIMENSIONS WITHOUT TOLERANCE FIGURES, ACCORDING TO UNI EN 22768 - mH STANDARD			
SCALE:1:20	LANGUAGE: ENGLISH	FINISH:	THICKNESS:

PROPRIETARY AND CONFIDENTIAL
 THE INFORMATION CONTAINED IN THIS DRAWING IS THE SOLE PROPERTY OF ENOMATIC. ANY REPRODUCTION IN PART OR AS A WHOLE WITHOUT THE WRITTEN PERMISSION OF ENOMATIC IS PROHIBITED.

REV.	DESCRIPTION	DATE	EXECUTOR	CHK'D	APPV'D
CODE:	MATERIAL:				WEIGHT Kg:
/	/	/	/	/	/

SECTION I-I